

## Lighting and Power Distribution Panelboards Type P1

Main Breaker: 400A Maximum

Main Lugs only: 400A Maximum

Voltages: 347/600 Vac Max and, 250 Vdc Max  
3Ø3W, 3Ø4W, 1Ø3W, 1Ø2W

### Specifications

#### General

P1 panelboards comply with the following standards:

- CSA 22.2 No.29-M1989
- Canadian Electrical Code (Part1)
- NEMA Standards PB-1, 250
- UL Standards – UL50 and UL67
- National Electric Code (NFPA 70)
- Federal Specification W-P-115c

#### Main Breakers

Please see Main Breaker Selection Table.

#### Branch Breakers

Please see Branch Breaker Selection Table.

#### Box

Fabricated from galvanized or galvanealed steel.  
Removable end walls.

#### Bussing

Main bus is tin plated aluminum temperature rated per CSA as a standard. Tin plated copper bus is available as an option.

#### Front

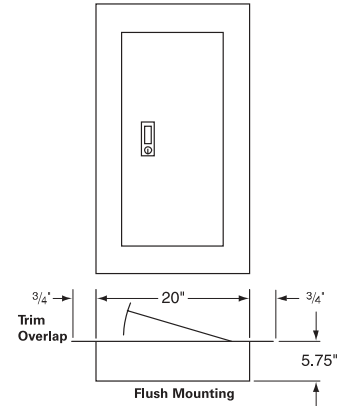
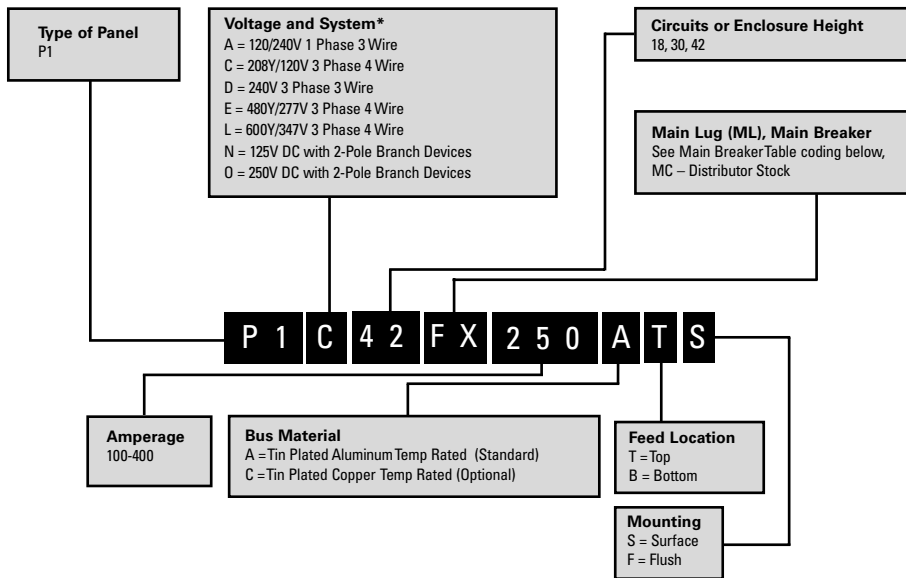
Fabricated from cold rolled steel and equipped with the concealed hinges, flush lock and a directory card holder. Trim screws are concealed behind a lockable door. Patented feature! The trim screws do not enter the wire way thus preventing conductor damage.



### Key Panelboard Features

- Lighting and Appliance Applications
- Power Panelboard Applications
- Convertible From Top Feed to Bottom Feed and Vice Versa
- Change From Main Lug to Main Breaker or Add Sub-Feed Without Changing Enclosure Size
- Space-Saving, Horizontally Mounted Main Breaker Through 250 Amps
- Short-Circuit Rating Label Giving Performance Level
- Standard Aluminum Ground Bus
- Bolted Current-Carrying Parts
- Split Neutral
- Connection Accessible From Front
- Screw-Type Mechanical Lugs
- Time-Reducing Wing Nuts to secure Interior Without Tools
- 200 Ampere Rated Branch Breaker Connector
- Main and Branch Devices Connected With Case-Hardened Hardware
- Flush Lock, Concealed Door Hinges/Trim Screws
- Symmetrical Interior Mounting Studs to Eliminate Upside-Down Mounting of Box
- Jacking Screw Interior Adjustment
- Shallow Depth
- Optional Compression Lugs
- Blank End-Walls Standard
- Service Entrance Barrier
- Single and Double Dripshield Kits

# Catalogue Numbering System



## Main Breaker Selection

Amp. Rating	Breaker Type	Code No.
100	BL	BL
	BLH	LH
	HBL	HL
	ED6 BQD6	E6 BD
125	ED4	E4
	ED6 HED4	E6 H4
225	QJ2	QJ
	QJH2	QH
	QJ2-H	Q2
	HQJ2H	HQ
250	FXD6	FX
	FD6	F6
	HFD6	HF
400	JD6	J6
	JXD6	JX
	HJD6	HJ
	HHJD	JD

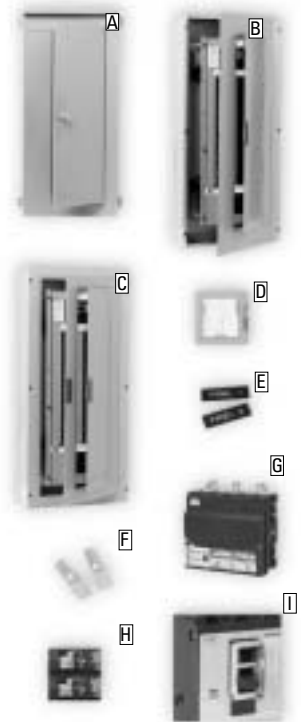
## Branch Breaker Selection

Breaker Type	Amp Rating	No. of Poles
BL, BLH	15-70	1
	15-100	2
	15-100	3
HBL	15-50	1
	15-70	2
BLF	15-30	1
	15-60	2
BLHF	15-30	1
	15-60	2
BGL	15-30	2
	15-30	3
BLE	15-30	1
	15-60	2
BQD6	15-70	1
	15-70	2
	15-70	3

## Modifications

When required, special constructions or additions to standard panelboards may be specified for factory-assembled panelboards.

- A Type 3R/12 Gasketed Trim Painted Box
- B Hinged Front
- C Door in Door Front
- D Metal Card Holder Lock
- E Nameplate Aluminum Equipment Ground Bar Copper Equipment Ground Bar Insulated Equipment Ground Feed-Thru Lugs
- F Compression Lugs Copper Lugs 200% Neutral Copper Main Bus
- G Remote Control Switch Time Clock Circuit Breaker Shunt Trip TVSS Module
- H Handle Blocking Device
- I Padlocking Device



\*Other voltages available. Please contact your local Siemens Representative.

Please refer to the Siemens P1 Panelboards, Selection and Application Guide for more detail. Ref # 3.0\_10/01\_AIS\_1202

### Siemens Panelboards

For Product Information  
1 800 816 3478

### Siemens Canada Limited

Automation and Infrastructure Solutions  
2185 Derry Road West  
Mississauga, Ontario  
L5N 7A6  
(905) 819 8000  
www.siemens.ca