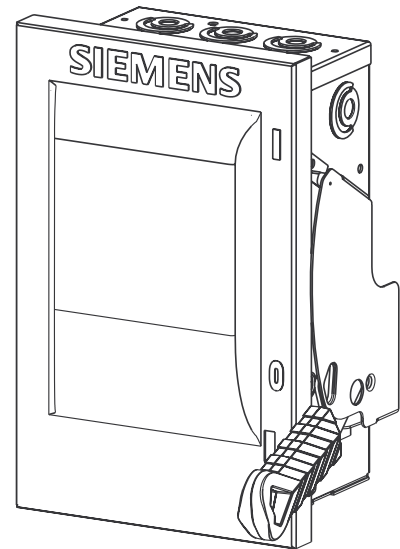


Product Specification Sheet #HD30.1.1

Heavy Duty Safety Switch

Type VBII

30 Amp, Type 1 (Indoor)



General Information

Catalog Number	Volts	Description	Shipping Weight (lbs.)
HNFC261	600	2 Pole, 2 Wire, Non-Fusible	12
HNFC361	600	3 Pole, 3 Wire, Non-Fusible	12

Horsepower Ratings ① ② ③ - 600 Volts

Catalog Number	3 Phase, 480V AC		3 Phase, 600V AC		600V DC
	Std	Max	Std	Max	
HNFC261	—	— ^④	—	— ^④	15
HNFC361	—	20 ^⑤	—	8	—

Accessories

Catalog Number	Description
HA161234	One Normally Open and Closed Auxiliary Switches
HA261234	Two Normally Open and Closed Auxiliary Switches
HA361234	Low Voltage Auxiliary Switch
HG61234	Equipment Ground Lug Kit
HG261234	Isolated Equipment Ground Lug Kit
HNC612	Neutral Kit
HLC612	Copper Lug Kit (9 lugs per kit)
HCL612	Compression Lug Neutral Barrier Kit

Replacement Parts

Catalog Number	Description
HNB612	Non-Fusible Replacement Base
HH6123	Replacement Handle/Handle Guard
HL612	Replacement Lugs (3 lugs per kit)
HM6123	Replacement Mechanism
⑥	Replacement Door

Mechanical Lug Wire Ranges (60/75°C, Cu/Al)

Description	Wire Range
Line, Load	#12-6 AWG (Al)
Neutral	or #14-6 AWG (Cu)
Ground	#14-4 AWG

- ① Dual horsepower ratings:
Std - applies when non-time delay fuses are installed.
Max - applies when time-delay fuses are installed.
- ② Horsepower ratings listed also apply to Design E motors through 15HP at 480V and 20HP at 600V with no derating.
- ③ Also rated 5HP at 250V DC.
- ④ Also rated 7 1/2 HP at 480V, 1 phase and 10HP at 600V, 1 phase.
- ⑤ Also rated 10HP on 3 Phase, 240V AC systems.
- ⑥ Place "DOOR" at the end of the switch catalog number.

Standards and Ratings

- CSA#1079316
- Meets CSA C22.2 No.4-04 for switches
- Meets NEMA Standard KS-1 for enclosed switches
- Meets NEC wire bending space requirements
- Rated 10,000 AIC as standard or 200,000 when protected by Class R, T or J fuses rated 30 amp maximum
- I²t rated (Amps² x Seconds = 50,000)
- 12X overload current rating exceeds standard 10X industry standard
- Suitable for use as service entrance equipment

Features

- Quick-make and break switching action
- Double break visible blade design
- Highly visible ON/OFF indication
- Rugged installer friendly enclosure design
- Modular design allows quick and easy replacement of parts
- Front removable lugs which can easily be converted to copper body or compression type lugs
- Defeatable dual cover interlock
- Tangential knockouts UL listed for bonding conduits for non-service entrance conductors

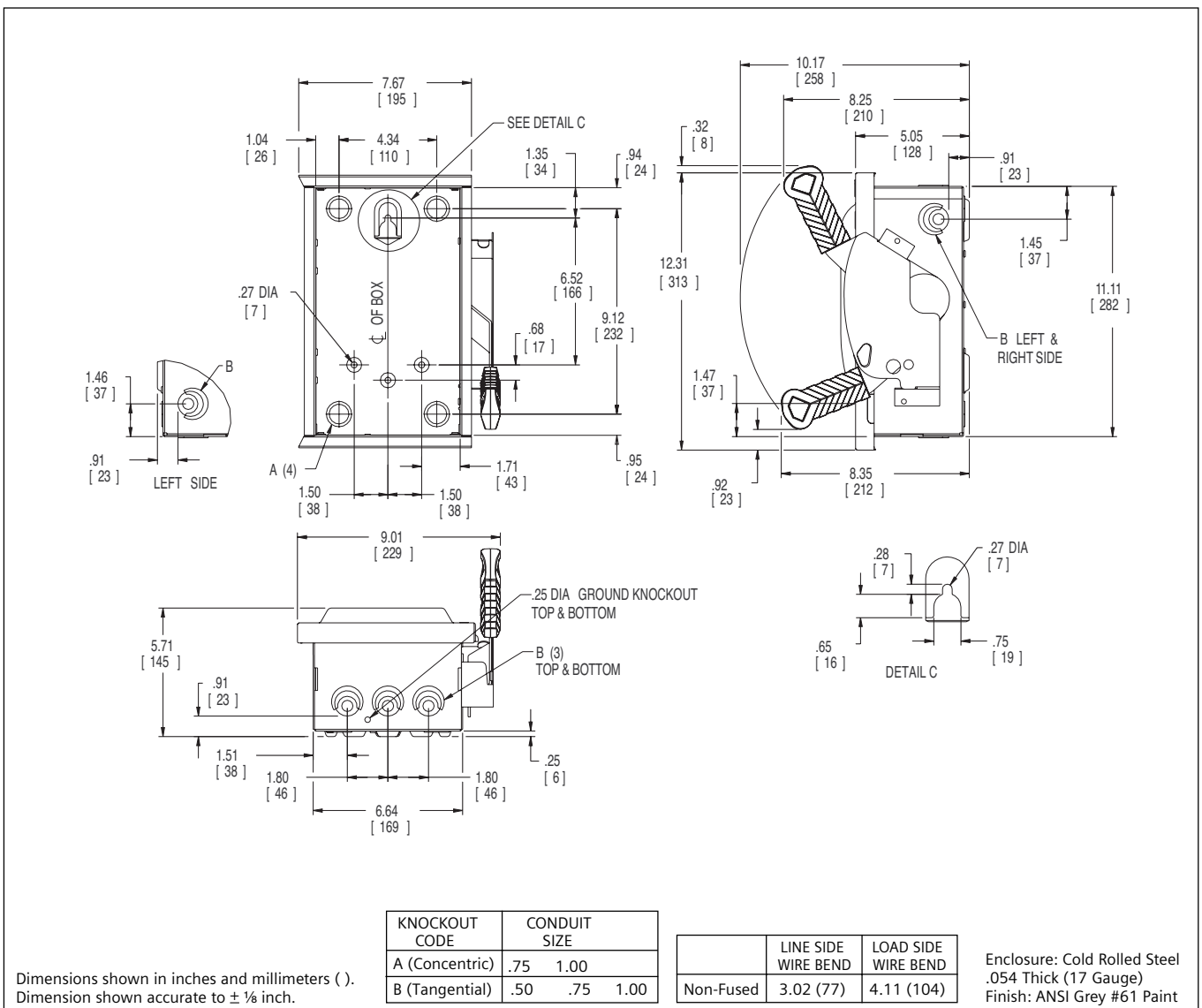
SIEMENS

Product Specification Sheet #HD30.1 (page 2)

Compression Lugs ①

Wire Size	Burndy		Thomas-Betts		IlSCO	
	CU ONLY	CU/AL	CU ONLY	CU/AL	CU ONLY	CU/AL
#14-10				60096 60097		
#8	YA8C-L BOX YA8C-L1 BOX		54104 54130 61102	60101 60102	CRA-8	ACL-8 ACN-8
#6			61107			

Dimension Drawing



KNOCKOUT CODE	CONDUIT SIZE		
	A (Concentric)	.75	1.00
B (Tangential)	.50	.75	1.00

	LINE SIDE WIRE BEND	LOAD SIDE WIRE BEND
	Non-Fused	3.02 (77)

Enclosure: Cold Rolled Steel
.054 Thick (17 Gauge)
Finish: ANSI Grey #61 Paint

Dimensions shown in inches and millimeters (.).
Dimension shown accurate to ± 1/16 inch.

① If compression lugs are used for the neutral, order compression lug neutral barrier kit HCL612.

Siemens Canada Ltd.
Automation & Drives
1550 Appleby Line
Burlington, Ontario L7L 6X7

www.siemens.ca

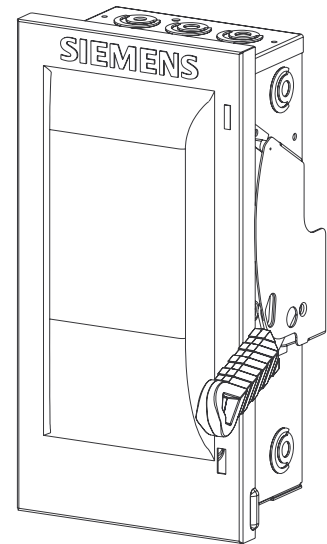
©Siemens Canada Ltd.
Siemens is a registered trademark of Siemens AG
Specifications are subject to change without notice.

Product Specification Sheet #HD30.2.1

Heavy Duty Safety Switch

Type VBII

30 Amp, Type 1 (Indoor)



General Information

Catalog Number	Volts	Description	Shipping Weight (lbs.)
HFC221N ①	240	2 Pole, 3 Wire, Fusible	12
HFC321N	240	3 Pole, 4 Wire, Fusible	14
HFC261	600	2 Pole, 2 Wire, Fusible	15
HFC361	600	3 Pole, 3 Wire, Fusible	14
HFC361N	600	3 Pole, 4 Wire, Fusible	14

Horsepower Ratings ②③ - 240 Volts

Catalog Number	1 Phase, 240V AC		3 Phase, 240V AC		250V DC
	Std	Max	Std	Max	
HFC221N	1½	3	3	7½	5
HFC321N	1½	3	3	7½	5

Horsepower Ratings ②③④ - 600 Volts

Catalog Number	3 Phase, 480V AC		3 Phase, 600V AC		600V DC
	Std	Max	Std	Max	
HFC261	—	—⑤	—	—⑤	15
HFC361	5	15	7½	20	—
HFC361N	5	15	7½	20	—

Accessories

Catalog Number	Description
HA161234	One Normally Open and Closed Auxiliary Switches
HA261234	Two Normally Open and Closed Auxiliary Switches
HA361234	Low Voltage Auxiliary Switch
HG61234	Equipment Ground Lug Kit
HG261234	Isolated Equipment Ground Lug Kit
HP61	Fuse Puller (3 per kit)
HNC612	Neutral Kit
HR21	240 Volt Class R Fuse Clip Kit (3 fuse clips per kit) (HF221N, HF321N)
HR612	600 Volt Class R Fuse Clip Kit (3 fuse clips per kit) (HF261, HF361, HF361N)
HLC612	Copper Lug Kit (9 lugs per kit)
HCL612	Compression Lug Neutral Barrier Kit

Replacement Parts

Catalog Number	Description
HFB21	240 Volt Line Side Replacement Base (HF221N, HF321N)
HBB21	240 Volt Load Side Replacement Base (HF221N, HF321N)
HFB612	600 Volt Line Side Replacement Base (HF261, HF361, HF361N)
HBB612	600 Volt Load Side Replacement Base (HF261, HF361, HF361N)
HH6123	Replacement Handle/Handle Guard
HL612	Replacement Lugs (3 lugs per kit)
HM6123	Replacement Mechanism
⑥	Replacement Door

① These switches are UL Listed for application on grounded B phase systems.

② Dual horsepower ratings:

Std - applies when non-time delay fuses are installed.

Max - applies when time-delay fuses are installed.

③ Horsepower ratings listed also apply to Design E motors with no derating.

④ Also rated 5HP at 250V DC.

⑤ Also rated 7½HP at 480V, 1 phase and 10HP at 600V, 1 phase.

⑥ Place "DOOR" at the end of the switch catalog number.

Standards and Ratings

- CSA#1079316
- Meets CSA C22.2 No.4-04 for switches
- Meets NEMA Standard KS-1 for enclosed switches
- Meets NEC wire bending space requirements
- Rated 10,000 AIC with Class H fuses or 200,000 AIC with Class R and J fuses
- Rated 100,000 AIC at 600Vdc with Class R or J fuses
- I²t rated (Amps² x Seconds = 50,000)
- 12X overload current rating exceeds standard 10X industry standard
- Suitable for use as service entrance equipment

Features

- Quick-make and break switching action
- Double break visible blade design
- Highly visible ON/OFF indication
- Rugged installer friendly enclosure design
- Modular design allows quick and easy replacement of parts
- Front removable wire grips which can easily be converted to copper body or compression type lugs
- Defeatable dual cover interlock
- Tangential knockouts UL listed for bonding conduits for non-service entrance conductors

Mechanical Lug Wire Ranges (60/75°C, Cu/Al)

Description	Wire Range
Line, Load Neutral	#12-6 AWG (Al) or #14-6 AWG (Cu)
Ground	#14-4 AWG

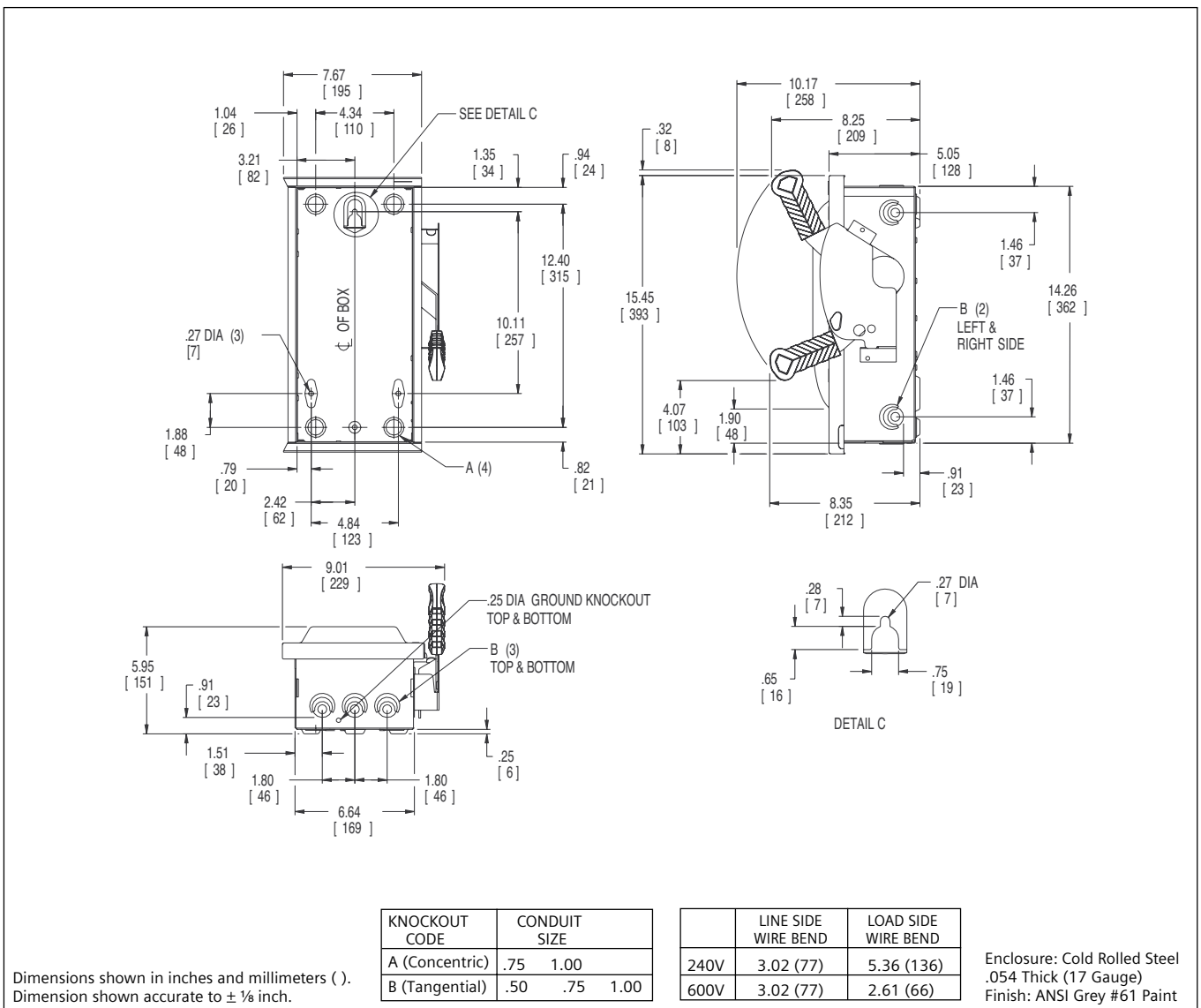
SIEMENS

Product Specification Sheet #HD30.2 (page 2)

Compression Lugs ①

Wire Size	Burndy		Thomas-Betts		IlSCO	
	CU ONLY	CU/AL	CU ONLY	CU/AL	CU ONLY	CU/AL
#14-10				60096 60097		
#8	YA8C-L BOX YA8C-L1 BOX		54104 54130	60101 60102 61102	CRA-8	ACL-8 ACN-8
#6				61107		

Dimension Drawing



① If compression lugs are used for the neutral, order compression lug neutral barrier kit HCL612.

Siemens Canada Ltd.
Automation & Drives
1550 Appleby Line
Burlington, Ontario L7L 6X7

www.siemens.ca

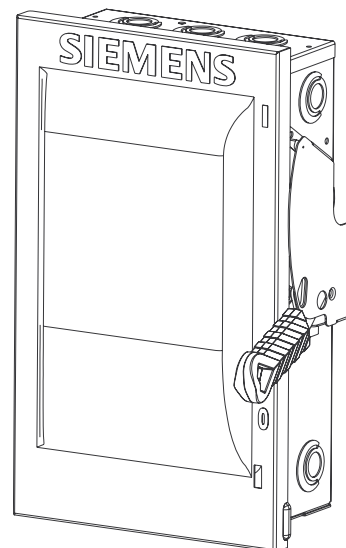
©Siemens Canada Ltd.
Siemens is a registered trademark of Siemens AG
Specifications are subject to change without notice.

Product Specification Sheet #HD60.1.1

Heavy Duty Safety Switches

Type VBII

60 Amp and Oversized 30A, Type 1 (Indoor)



General Information

Number	Amps	Volts	Description	Weight (lbs.)
HFC222N ①	60	240	2 Pole, 3 Wire, Fusible	18
HFC322N	60	240	3 Pole, 4 Wire, Fusible	19
HFC262	60	600	2 Pole, 2 Wire, Fusible	20
HFC362	60	600	3 Pole, 3 Wire, Fusible	19
HFC362N	60	600	3 Pole, 4 Wire, Fusible	19
HNFC262	60	600	2 Pole, 2 Wire, Non-Fusible	19
HNFC362	60	600	3 Pole, 3 Wire, Non-Fusible	18

Horsepower Ratings ②③ - 240 Volts

Catalog Number	Std	Max	Std	Max	250V DC
HFC322N	3	10	7½	15	10

Horsepower Ratings ②③ - 600 Volts

Catalog Number	3 Phase, 480V AC		3 Phase, 600V AC		600V DC
	Std	Max	Std	Max	
HFC361L	5	15	7½	20	—
HFC262 ④	—⑤	—	—	—⑤	30
HFC362 ④	15	30	15	50	25
HFC362N ④	15	30	15	50	25
HNFC262 ④	—⑤	—	—	—⑤	30
HNFC362 ④⑥	—	50	—	60	25

Accessories

Catalog Number	Description
HA161234	One Normally Open and Closed Auxiliary Switches
HA261234	Two Normally Open and Closed Auxiliary Switches
HA361234	Low Voltage Auxiliary Switch
HG61234	Equipment Ground Lug Kit
HG261234	Isolated Equipment Ground Lug Kit
HP62	Fuse Puller (3 per kit) (HF222N, HF322N, HF262, HF362, HF362N)
HNC623	Neutral Kit
HR612 ⑦	240 Volt Class R Fuse Clip Kit (3 fuse clips per kit) (HF222N, HF322N)
HR62	600 Volt Class R Fuse Clip Kit (3 fuse clips per kit) (HF262, HF362, HF362N)
HLC612	Copper Lug Kit (9 lugs per kit)
HCL623	Compression Lug Neutral Barrier Kit

Replacement Parts

Catalog Number	Description
HFB22 ⑦	Fusible 240 Volt Line Side Replacement Base (HF222N, HF322N)
HBB22 ⑦	Fusible 240 Volt Load Side Replacement Base (HF222N, HF322N)
HFB62	Fusible 600 Volt Line Side Replacement Base (HF262, HF362, HF362N)
HBB62	Fusible 600 Volt Load Side Replacement Base (HF262, HF362, HF362N)
HNB623	Non-Fusible 600 Volt Replacement Base (HNF262, HNF362)
HH6123	Replacement Handle/Handle Guard
HL612	Replacement Lugs (3 lugs per kit)
HM6123	Replacement Mechanism
⑧	Replacement Door

- ① These switches are UL Listed for application on grounded B phase systems.
 ② Dual horsepower ratings: Std - applies when non-time delay fuses are installed. Max - applies when time-delay fuses are installed.
 ③ Horsepower ratings listed also apply to Design E motors with no derating.
 ④ 60A switches also rated 10HP at 250V DC.
 ⑤ 60A switches also rated 20HP at 480V and 25HP at 600V, 1 phase.
 ⑥ 60A switches also rated 20HP on 3Ø, 240V AC systems.
 ⑦ Also 30A, 600V for HF361L.
 ⑧ Place "DOOR" at the end of the switch catalog number.

Standards and Ratings

- CSA#1079316
- Meets CSA C22.2 No.4-04 for switches
- Meets NEMA Standard KS-1 for enclosed switches
- Meets NEC wire bending space requirements
- Rated 10,000 AIC with Class H fuses or 200,000 AIC with Class R and J fuses
- 60A switches rated 10,000 AIC at 600Vdc with Class R or J fuses
- I²t rated (Amps² x Seconds = 200,000)
- 12X overload current rating exceeds standard 10X industry standard
- Suitable for use as service entrance equipment

Features

- Quick-make and break switching action
- Double break visible blade design
- Highly visible ON/OFF indication
- Rugged installer friendly enclosure design
- Modular design allows quick and easy replacement of parts
- Front removable lugs which can easily be converted to copper body or compression type lugs
- Defeatable dual cover interlock

Mechanical Lug Wire Ranges (60/75°C, Cu/Al)

Description	Wire Range
Line, Load Neutral	#12-2 AWG (Al) or #14-2 AWG (Cu)
Ground	#14-4 AWG

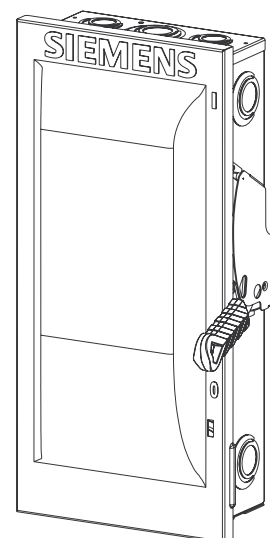
SIEMENS

Product Specification Sheet #HD100.1.1

Heavy Duty Safety Switch

Type VBII

100 Amp, Type 1 (Indoor)



General Information

Number	Volts	Description	Weight (lbs.)
HFC323N	240	3 Pole, 4 Wire, Fusible	25
HFC263	600	2 Pole, 2 Wire, Fusible	26
HFC363	600	3 Pole, 3 Wire, Fusible	24
HFC363N	600	3 Pole, 4 Wire, Fusible	25
HNFC263	600	2 Pole, 2 Wire, Non-Fusible	25
HNFC363	600	3 Pole, 3 Wire, Non-Fusible	23

Horsepower Ratings ②③ - 240 Volts

Catalog Number	Std		Max		250V DC
	Std	Max	Std	Max	
HFC323N	7½	15	15	30	20

Horsepower Ratings ②③④ - 600 Volts

Catalog Number	3 Phase, 480V AC		3 Phase, 600V AC		600V DC
	Std	Max	Std	Max	
HFC263	—	— ^⑤	—	— ^⑤	50
HFC363	25	60	30	75	25
HFC363N	25	60	30	75	25
HNFC263	—	— ^⑤	—	— ^⑤	50
HNFC363 ^⑥	—	75	—	100	25

Accessories

Catalog Number	Description
HA161234	One Normally Open and Closed Auxiliary Switches
HA261234	Two Normally Open and Closed Auxiliary Switches
HA361234	Low Voltage Auxiliary Switch
HG61234	Equipment Ground Lug Kit
HG261234	Isolated Equipment Ground Lug Kit
HP63	Fuse Puller (3 per kit) (HF223N, HF323N, HF263, HF363, HF363N)
HNC623, HNC263	Neutral Kit, 200% Neutral Kit
HR63	Class R Fuse Clip Kit (3 fuse clips per kit) (HF223N, HF323N, HF263, HF363, HF363N)
HT23	240 Volt Class T Fuse Clip Kit (1-Pole per kit) (HF223N, HF323N)
HT63	600 Volt Class T Fuse Clip Kit (1-Pole per kit) (HF263, HF363, HF363N)
HLC63	Copper Lug Kit (9 lugs per kit)
HCL623	Compression Lug Neutral Barrier Kit

Replacement Parts

Catalog Number	Description
HFB63	Fusible Line Side Replacement Base (HF223N, HF323N, HF263, HF363, HF363N)
HBB63	Fusible Load Side Replacement Base (HF223N, HF323N, HF263, HF363, HF363N)
HNB623	Non-Fusible Replacement Base (HNF263, HNF363)
HH6123	Replacement Handle/Handle Guard
HL63	Replacement Lugs (3 lugs per kit)
HM6123	Replacement Mechanism
⑦	Replacement Door

① These switches are UL Listed for application on grounded B phase systems.

② Dual horsepower ratings:

Std - applies when non-time delay fuses are installed.

Max - applies when time-delay fuses are installed.

③ Horsepower ratings listed also apply to Design E motors with no derating.

④ Also rated 20HP at 250V DC.

⑤ Also rated 30HP at 480V and 40HP at 600V, 1 phase.

⑥ Also rated 40HP on 3 phase, 240V AC systems.

⑦ Place "DOOR" at the end of the switch catalog number.

Standards and Ratings

- CSA#1079316
- Meets CSA C22.2 No.4-04 for switches
- Meets NEMA Standard KS-1 for enclosed switches
- Meets NEC wire bending space requirements
- Rated 10,000 AIC with Class H fuses or 200,000 AIC with Class R, T and J fuses
- Rated 100,000 AIC at 600Vdc with Class R or J fuses
- I²t rated (Amps² x Seconds = 500,000)
- 12X overload current rating exceeds standard 10X industry standard
- Suitable for use as service entrance equipment

Features

- Quick-make and break switching action
- Double break visible blade design
- Highly visible ON/OFF indication
- Rugged installer friendly enclosure design
- Modular design allows quick and easy replacement of parts
- Front removable lugs which can easily be converted to copper body or compression type lugs
- Defeatable dual cover interlock

Mechanical Lug Wire Ranges (60/75°C, Cu/Al)

Description	Wire Range
Line, Load Neutral	#12-1/0 (Al) AWG or #14-1/0 (Cu) AWG
Ground	#14-4 AWG

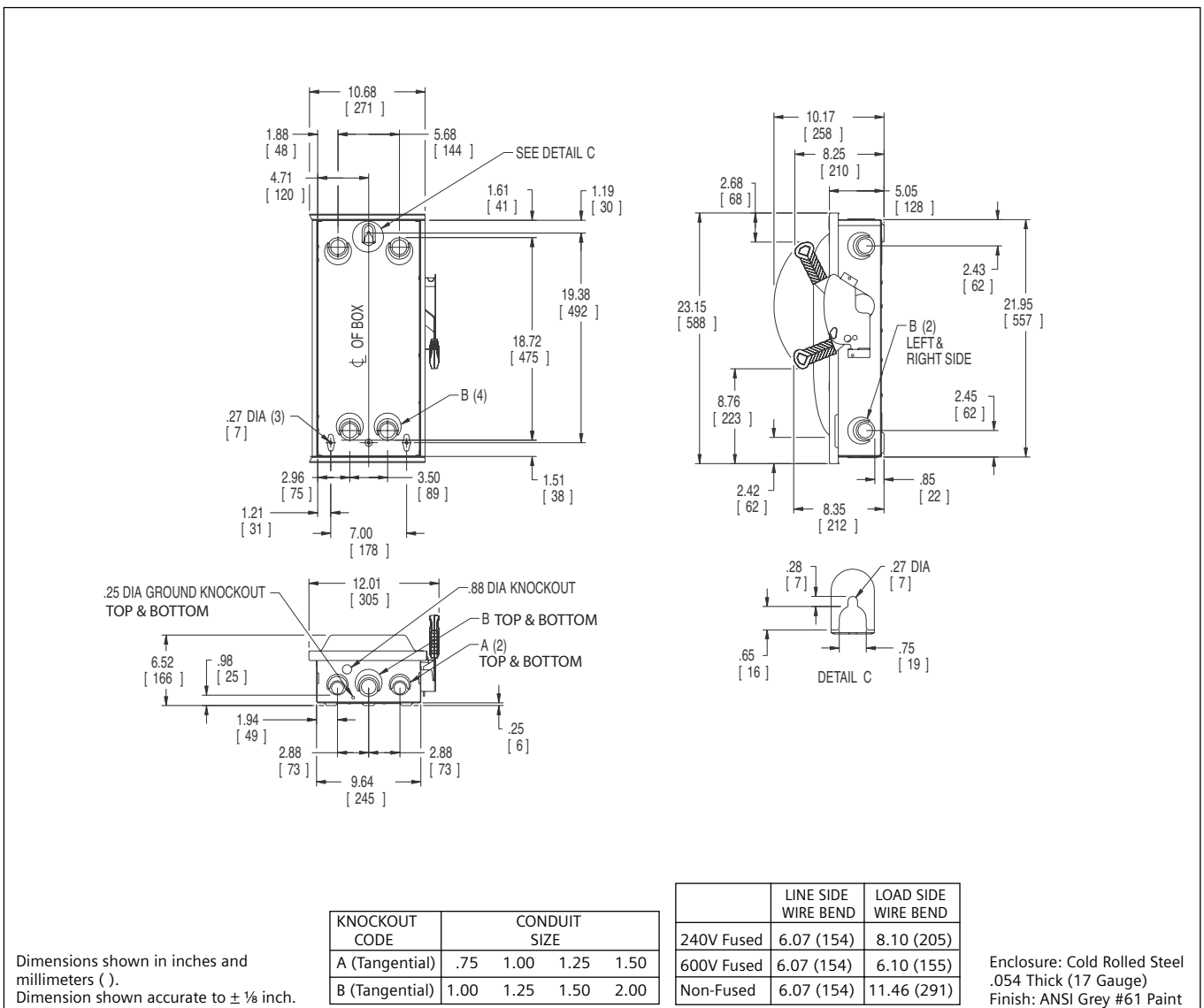
SIEMENS

Product Specification Sheet #HD100.1 (page 2)

Compression Lugs ①

Wire Size	Burndy		Thomas-Betts		IlSCO	
	CU ONLY	CU/AL	CU ONLY	CU/AL	CU ONLY	CU/AL
#6	YA6C-L BOX YA6C	YA6CA1	54105 54905BE	61107 60107	CRB-6 CRB-6L	ACL-6
#4	YA4C-L BOX YA4C	YA4CA1	54106 54906BE	61112 60112	CRB-4 CRB-4L	ACL-4
#2	YA2C-L2 BOX YA2C	YA2CA5	54107	61116	CRB-2 CRB-2L	ACL-2
#1	YA1C-L2 YA1C		54108 54947BE	61122	CRB-1-14 CRA-1L	
1/0				61130		

Dimension Drawing



① If compression lugs are used for the neutral, order compression lug neutral barrier kit HCL623.

Siemens Canada Ltd.
Automation & Drives
1550 Appleby Line
Burlington, Ontario L7L 6X7

www.siemens.ca

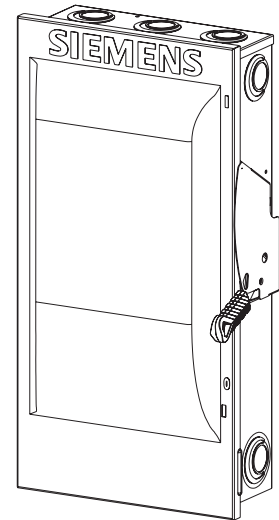
©Siemens Canada Ltd.
Siemens is a registered trademark of Siemens AG
Specifications are subject to change without notice.

Product Specification Sheet #HD200.1.1

Heavy Duty Safety Switch

Type VBII

200 Amp, Type 1 (Indoor)



General Information

Catalog Number	Volts	Description	Shipping Weight (lbs.)
HFC224N ①	240	2 Pole, 3 Wire, Fusible	47
HFC324N	240	3 Pole, 4 Wire, Fusible	49
HFC364	600	3 Pole, 3 Wire, Fusible	48
HFC364N	600	3 Pole, 4 Wire, Fusible	49
HNFC364	600	3 Pole, 3 Wire, Non-Fusible	46

Horsepower Ratings ②③ - 240 Volts

Catalog Number	1 Phase, 240V AC		3 Phase, 240V AC		250V DC
	Std	Max	Std	Max	
HFC224N	15	—	25	60	40
HFC324N	15	—	25	60	40

Horsepower Ratings ②③ - 600 Volts

Catalog Number	3 Phase, 480V AC		3 Phase, 600V AC		600V DC
	Std	Max	Std	Max	
HFC364	50	125	60	150	50
HFC364N	50	125	60	150	50
HNFC364 ④	—	125	—	150	50

Accessories

Catalog Number	Description
HA161234	One Normally Open and Closed Auxiliary Switches
HA261234	Two Normally Open and Closed Auxiliary Switches
HA361234	Low Voltage Auxiliary Switch
HG61234	Equipment Ground Lug Kit
HG261234	Isolated Equipment Ground Lug Kit
HNC64	Neutral Kit
HNC264	200% Neutral Kit
HT24	240 Volt Class T Fuse Clip Kit (1-Pole per kit) (HF224N, HF324N)
HT64	600 Volt Class T Fuse Clip Kit (1-Pole per kit) (HF364, HF364N)
HR64	Class R Fuse Clip Kit (3 fuse clips per kit) (HF224N, HF324N, HF364, HF364N)
HLC64	Copper Lug Kit (9 lugs per kit)

Replacement Parts

Catalog Number	Description
HFB64	Fusible Line Side Replacement Base (HF224N, HF324N, HF364, HF364N)
HBB64	Fusible Load Side Replacement Base (HF224N, HF324N, HF364, HF364N)
HNB64	Non-Fusible Replacement Base (HNFC364)
HH64	Replacement Handle/Handle Guard
HL64	Replacement Lugs (3 lugs per kit)
HM64	Replacement Mechanism
⑤	Replacement Door

① These switches are UL Listed for application on grounded B phase systems.

② Dual horsepower ratings:
Std - applies when non-time delay fuses are installed.
Max - applies when time-delay fuses are installed.

③ Horsepower ratings listed also apply to Design E motors with no derating.

④ Also rated 60 HP on 3 phase, 240V AC systems.

⑤ Place "DOOR" at the end of the switch catalog number.

Standards and Ratings

- CSA#1079316
- Meets CSA C22.2 No.4-04 for switches
- Meets NEMA Standard KS-1 for enclosed switches
- Meets NEC wire bending space requirements
- Rated 10,000 AIC with Class H fuses or 200,000 AIC with Class R, T and J fuses
- Rated 100,000 AIC at 600Vdc with Class R or J fuses
- I²t rated (Amps² x Seconds = 2,000,000)
- 12X overload current rating exceeds standard 10X industry standard
- Suitable for use as service entrance equipment

Features

- Quick-make and break switching action
- Double break visible blade design
- Highly visible ON/OFF indication
- Rugged installer friendly enclosure design
- Modular design allows quick and easy replacement of parts
- Front removable lugs which can easily be converted to copper body or compression type lugs
- Defeatable dual cover interlock

Mechanical Lug Wire Ranges (75°C, Cu/Al)

Description	Wire Range
Line, Load Neutral	#6 AWG - 300 Kcmil
200% and Standard Neutral Ground	#14-1/0AWG
Ground Lug Kit	#14-4 AWG
200% Neutral	(2) #6 AWG - 300 Kcmil

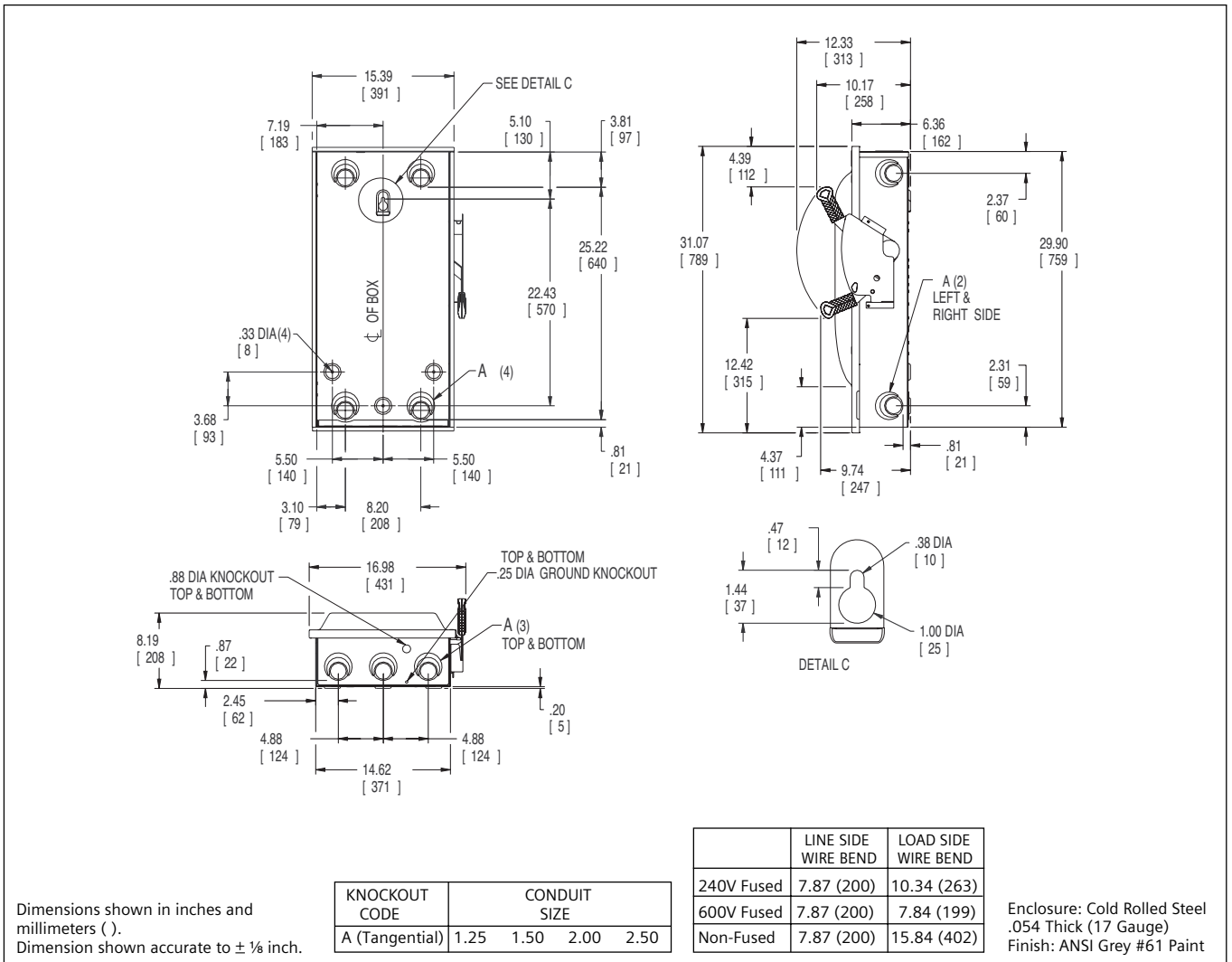
SIEMENS

Product Specification Sheet #HD200.1 (page 2)

Compression Lugs

Wire Size	Burndy		Thomas-Betts		IlSCO	
	CU ONLY	CU/AL	CU ONLY	CU/AL	CU ONLY	CU/AL
#2	YA2C-L Box YA2C	YA2CA1	54142-TB	60117	CRB-2 CRB-2L	IACL-2 ACN-2
#1	YA1C-L Box YA1C	YA1CA1	54147 54947BE	60123	CRA-1-38 CRA-1L	ACN-1
1/0	YA25-L Box YA25	YA25A1	54153-TB 54949BE	60129 61130	CRA-0 CRA-1/OL	IACL-1/0 ACN-1/0
2/0	YA26-L3 YA26	YA26A6	54158 256-30695-1229 54910BE	60135 61136	CRA-2/0 CRA-2/OL	ACL-2/0 IACL-2/0
3/0	YA27-L3 YA27	YA27A1	54163-TB	60141 61142	CRC-3/0 CRB-3/OL	IACL-3/0 ACL-3/0
4/0	YA28-L3 YA28-TC38	YA28A1	54168 256-30695-1253	61148 60147	CRC-4/0 CRB-4/OL	IACL-4/0 ACL-4/0
250 Kcmil	YA29-L7		54173 54913BE	61156	CRA-250 CRA-250L	IACL-250
300 Kcmil				61162		

Dimension Drawing



Siemens Canada Ltd.
Automation & Drives
1550 Appleby Line
Burlington, Ontario L7L 6X7

www.siemens.ca

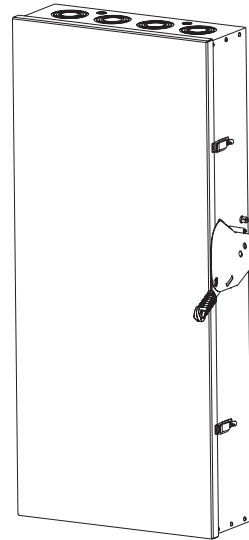
©Siemens Canada Ltd.
Siemens is a registered trademark of Siemens AG
Specifications are subject to change without notice.

Product Specification Sheet #HD400.1.1

Heavy Duty Safety Switch

Type VBII

400 Amp, Type 1 (Indoor)



General Information

Catalog Number	Volts	Description	Shipping Weight (lbs.)
HFC225N ①	240	2 Pole, 3 Wire, Fusible	153
HFC325N	240	3 Pole, 4 Wire, Fusible	158
HFC265	600	2 Pole, 2 Wire, Fusible	149
HFC365	600	3 Pole, 3 Wire, Fusible	154
HFC365N	600	3 Pole, 4 Wire, Fusible	158

Horsepower Ratings ②③ - 240 Volts

Catalog Number	1 Phase, 240V AC		3 Phase, 240V AC		250V DC
	Std	Max	Std	Max	
HFC225N	15	15	50	125	50
HFC325N	15	15	50	125	50

Horsepower Ratings ②③ - 600 Volts

Catalog Number	3 Phase, 480V AC		3 Phase, 600V AC		600V DC
	Std	Max	Std	Max	
HFC265	—	—	—	—	50
HFC365 ④	100	250	125	350	—
HFC365N ④	100	250	125	350	—

Accessories

Catalog Number	Description
HA165678	One Normally Open and Closed Auxiliary Switches
HA265678	Two Normally Open and Closed Auxiliary Switches
HA365678	Low Voltage Auxiliary Switch
HG656	Equipment Ground Lug Kit
HG2656	Isolated Equipment Ground Lug Kit
HNC656	Standard and 200% Neutral Kit
HR656	Class R Fuse Clip Kit (3 fuse clips per kit)
HLC65678	Copper Lug Kit (1 lug per kit)
HCL65	Compression Lug Mounting Kit (1 kit/pole required, allows (1) lug/Ø)

Replacement Parts

Catalog Number	Description
HFB65 ⑤⑥	Fusible Line Side Replacement Base
HBB656 ⑤⑥	Fusible Load Side Replacement Base
HH65678	Replacement Handle/Handle Guard
HL65678 ⑥	Replacement Lug (1 lug per kit)
HM65	Replacement Mechanism
⑦	Replacement Door

① These switches are UL Listed for application on grounded B phase systems.

② Dual horsepower ratings:

Std - applies when non-time delay fuses are installed.

Max - applies when time-delay fuses are installed.

③ Horsepower ratings listed also apply to Design E motors with no derating.

④ Rated 50HP on 250V DC systems.

⑤ Each Line and Load Replacement base contains one pole.

⑥ Lugs are not provided on Line and Load Replacement Base Assemblies.

Order Lug Kits.

⑦ Place "Door" at the end of the switch catalog number.

Standards and Ratings

- CSA#1079316
- Meets CSA C22.2 No.4-04 for switches
- Meets NEMA Standard KS-1 for enclosed switches
- Meets NEC wire bending space requirements
- Rated 10,000 AIC with Class H fuses or 200,000 AIC with Class R, J and T fuses
- Rated 100,000 AIC at 600Vdc with Class R or J fuses
- I²t rated (Amps² x Seconds = 6,000,000)
- 12X overload current rating exceeds standard 10X industry standard
- Suitable for use as service entrance equipment

Features

- Quick-make and break switching action
- Visible blade design
- Highly visible ON/OFF indication
- Modular design allows quick and easy replacement of parts
- Front removable lugs which can easily be converted to copper body or compression type lugs
- Defeatable dual cover interlock

Mechanical Lug Wire Ranges

Line, Load	or
Standard and 200% Neutral Ground	(2) 1/0 AWG - 250 Kcmil
Standard and 200% Neutral	(2) #6 AWG - 250 Kcmil
Standard and 200% Neutral	(2) 1/0 AWG - 750 Kcmil

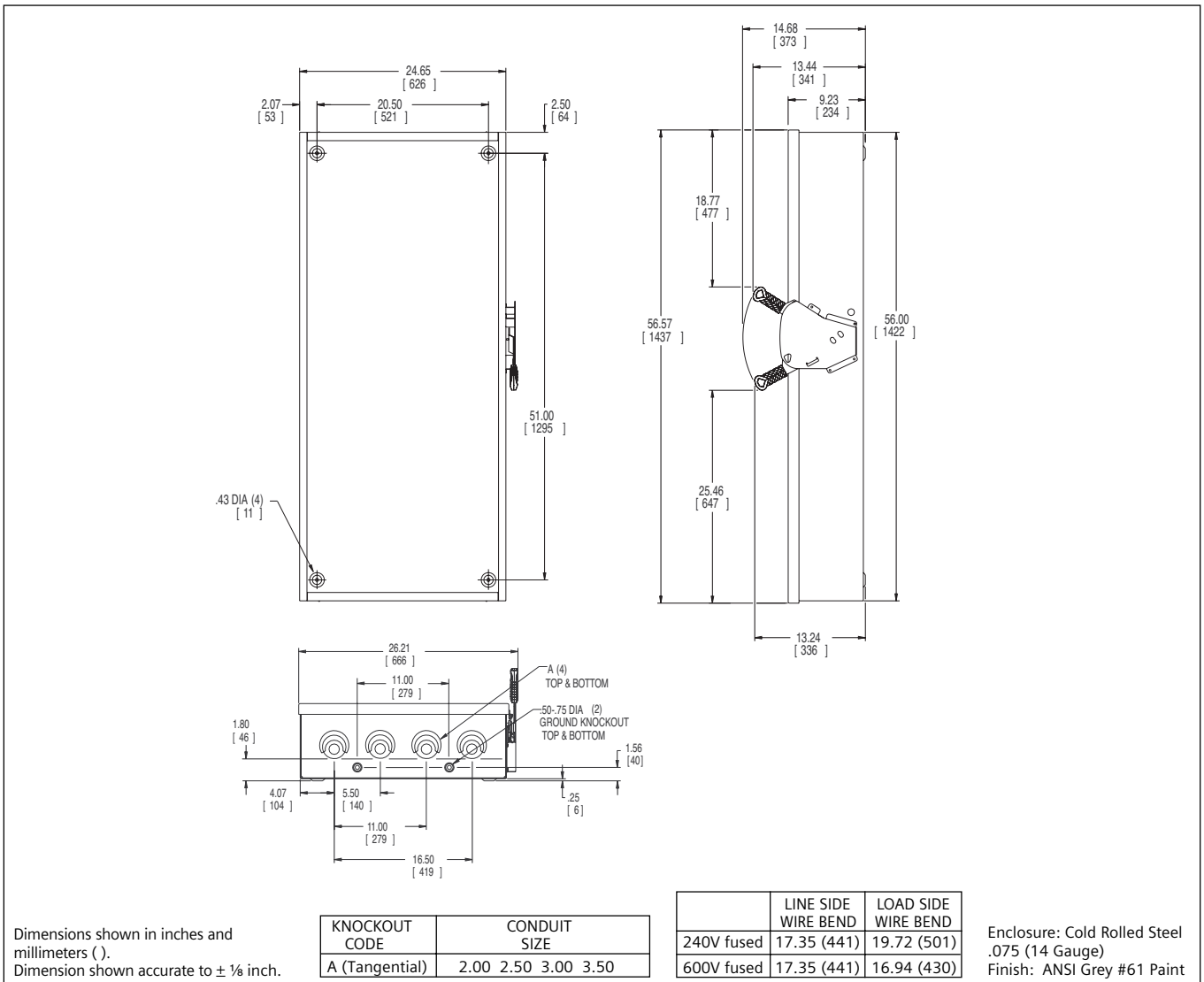
SIEMENS

Product Specification Sheet #HD400.1 (page 2)

Compression Lugs ①

Wire Size	Burndy		Thomas-Betts		Ilsco	
	CU Only	CU/AL	CU Only	CU/AL	CU Only	CU/AL
2/0	YA26-N	YA26-A1	54160 54951BE			IACL-2/0 ACN-2/0
3/0	YA27-L Box YA27	YA27A3	54165-TB 54965BE		CRB-3/0 CRB-3/0L	IACL-3/0 ACN-3/0
4/0	YA28-L Box YA28	YA28A3	54170 54970BE	60150	CRB-4/0 CRB-4/0L	IACL-4/0 ACN-4/0
250 Kcmil	YA29-L Box YA29	YA29A1	54113 54913BE	61156 60156	CRA-250 CRA-250L	IACL-250 ACL-250
300 Kcmil	YA30-L YA30	YA30A1	54114 54914BE	61162 60162	CRA-300 CRA-300L	IACL-300 ACL-300
350 Kcmil	YA31-L YA31	YA31A1	54915BE	61165 60165	CRA-350 CRA-350L	IACL-350 ACL-350
400 Kcmil	YA32-N		54116 54916BE			
500 Kcmil	YA34-L6 YA34-N			61171		IACL-500

Dimension Drawing



① If compression lugs are used, order compression lug mounting kit HCL65.

Siemens Canada Ltd.
Automation & Drives
1550 Appleby Line
Burlington, Ontario L7L 6X7

www.siemens.ca

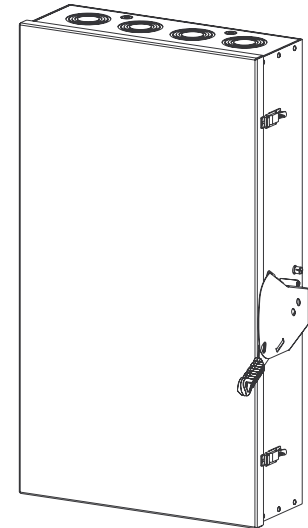
©Siemens Canada Ltd.
Siemens is a registered trademark of Siemens AG
Specifications are subject to change without notice.

Product Specification Sheet #HD400.2.1

Heavy Duty Safety Switch

Type VBII

400 Amp, Type 1 (Indoor)



General Information

Catalog Number	Volts	Description	Shipping Weight (lbs.)
HNFC265	600	2 Pole, 2 Wire, Non-Fusible	109
HNFC365	600	3 Pole, 3 Wire, Non-Fusible	114

Horsepower Ratings ①② - 600 Volts

Catalog Number	3 Phase, 480V AC		3 Phase, 600V AC		600V DC
	Std	Max	Std	Max	
HNFC265	—	—	—	—	50
HNFC365 ③④	—	250	—	350	—

Accessories

Catalog Number	Description
HA165678	One Normally Open and Closed Auxiliary Switches
HA265678	Two Normally Open and Closed Auxiliary Switches
HA365678	Low Voltage Auxiliary Switch
HG656	Equipment Ground Lug Kit
HG2656	Isolated Equipment Ground Lug Kit
HNC656	Standard and 200% Neutral Kit
HLC65678	Copper Lug Kit (1 lug per kit)
HCL65	Compression Lug Mounting Kit (1 kit/pole required, allows (1) lug/Ø)

Replacement Parts

Catalog Number	Description
HNB65 ⑤⑥	Non-Fusible Replacement Base
HH65678	Replacement Handle/Handle Guard
HL65678 ⑤	Replacement Lug (1 lug per kit)
HM65	Replacement Mechanism
⑦	Replacement Door

Mechanical Lug Wire Ranges (60/75°C, Cu/Al)

Line, Load	or
Standard and 200% Neutral Ground	(2) 1/0 AWG - 250 Kcmil
Standard and 200% Neutral	(2) #6 AWG - 250 Kcmil
Standard and 200% Neutral	(2) #1/0 AWG - 750 Kcmil

① Dual horsepower ratings:

Std - applies when non-time delay fuses are installed.

Max - applies when time-delay fuses are installed.

② Horsepower ratings listed also apply to Design E motors with no derating.

③ Also rated 125HP on 3Ø, 240V AC systems.

④ Rated 50HP on 250V DC systems.

⑤ Lugs are not provided on the Replacement Base Assembly.

Order Lug Kit.

⑥ Replacement Base contains one pole.

⑦ Place "DOOR" at the end of the switch catalog number.

Standards and Ratings

- CSA#1079316
- Meets CSA C22.2 No.4-04 for switches
- Meets NEMA Standard KS-1 for enclosed switches
- Meets NEC wire bending space requirements per table 373-6 (b)
- Rated 10,000 AIC as standard or 200,000 AIC when protected by Class R, T or J fuses rated 400 amp maximum
- I²t rated (Amps² x Seconds = 6,000,000)
- 12X overload current rating exceeds standard 10X industry standard
- Suitable for use as service entrance equipment

Features

- Quick-make and break switching action
- Visible blade design
- Highly visible ON/OFF indication
- Rugged installer friendly enclosure design
- Modular design allows quick and easy replacement of parts
- Front removable lugs which can easily be converted to copper body or compression type lugs
- Defeatable dual cover interlock

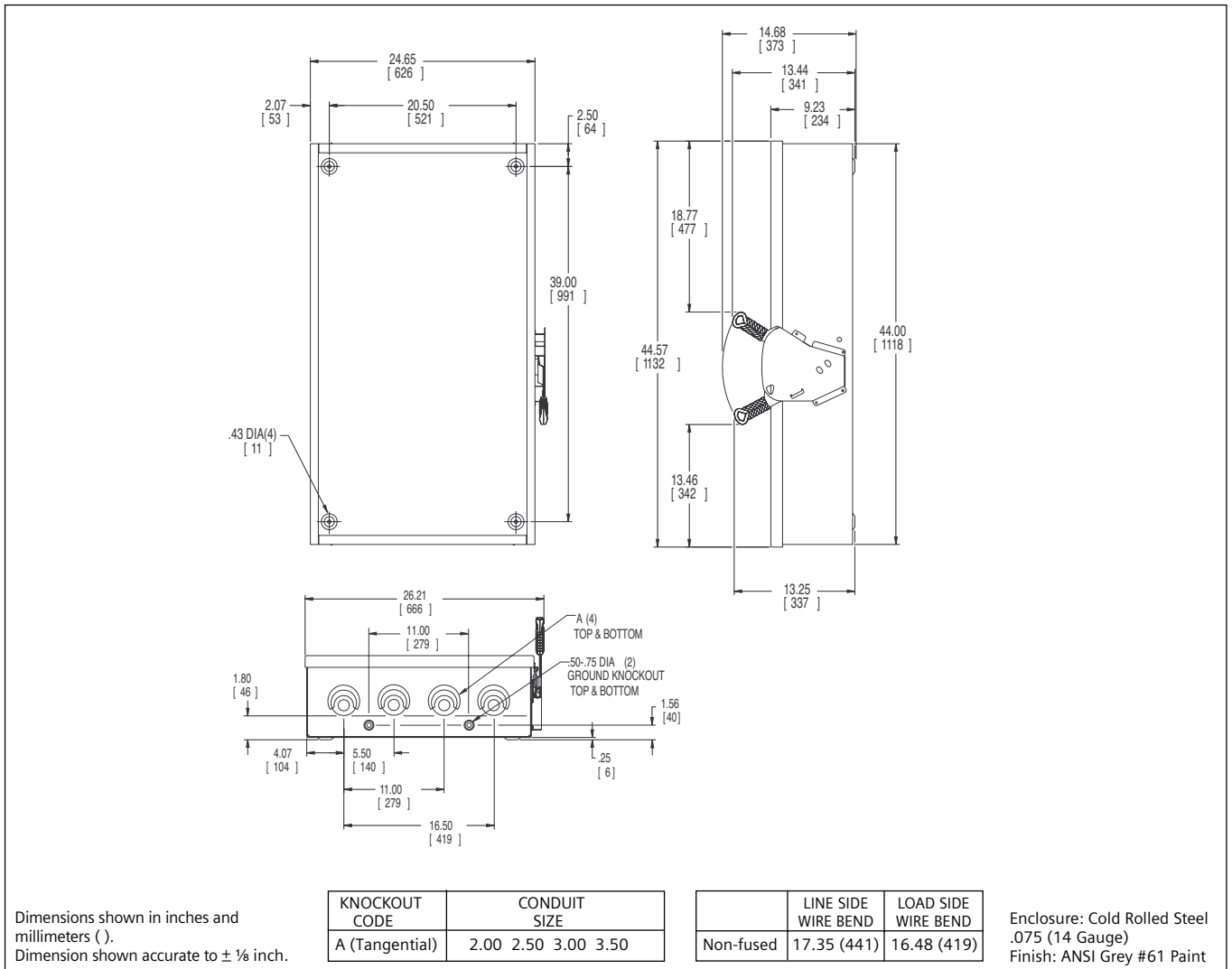
SIEMENS

Product Specification Sheet #HD400.2 (page 2)

Compression Lugs ①

Wire Size	Burndy		Thomas-Betts		IISCO	
	CU Only	CU/AL	CU Only	CU/AL	CU Only	CU/AL
2/0	YA26-N	YA26-A1	54160 54951BE			IACL-2/0 ACN-2/0
3/0	YA27-L Box YA27	YA27A3	54165-TB 54965BE		CRB-3/0 CRB-3/OL	IACL-3/0 ACN-3/0
4/0	YA28-L Box YA28	YA28A3	54170 54970BE	60150	CRB-4/0 CRB-4/OL	IACL-4/0 ACN-4/0
250 Kcmil	YA29-L Box YA29	YA29A1	54113 54913BE	61156 60156	CRA-250 CRA-250L	IACL-250 ACL-250
300 Kcmil	YA30-L YA30	YA30A1	54114 54914BE	61162 60162	CRA-300 CRA-300L	IACL-300 ACL-300
350 Kcmil	YA31-L YA31	YA31A1	54915BE	61165 60165	CRA-350 CRA-350L	IACL-350 ACL-350
400 Kcmil	YA32-N		54116 54916BE			
500 Kcmil	YA34-L6 YA34-N			61171		IACL-500

Dimension Drawing



① If compression lugs are used, order compression lug mounting kit HCL65.

Siemens Canada Ltd.
Automation & Drives
1550 Appleby Line
Burlington, Ontario L7L 6X7

www.siemens.ca

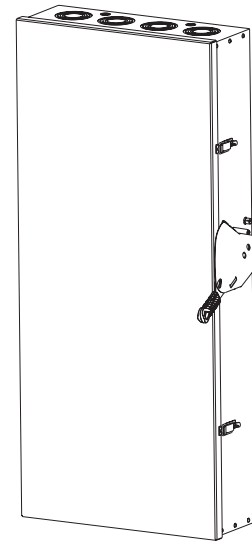
©Siemens Canada Ltd.
Siemens is a registered trademark of Siemens AG
Specifications are subject to change without notice.

Product Specification Sheet #HD600.1.1

Heavy Duty Safety Switch

Type VBII

600 Amp, Type 1 (Indoor)



General Information

Catalog Number	Volts	Description	Shipping Weight (lbs.)
HFC226N ①	240	2 Pole, 3 Wire, Fusible	155
HFC326N	240	3 Pole, 4 Wire, Fusible	161
HFC266	600	2 Pole, 2 Wire, Fusible	150
HFC366	600	3 Pole, 3 Wire, Fusible	157
HFC366N	600	3 Pole, 4 Wire, Fusible	161

Horsepower Ratings ②③ - 240 Volts

Catalog Number	1 Phase, 240V AC		3 Phase, 240V AC		250V DC
	Std	Max	Std	Max	
HFC226N	15	15	75	200	50
HFC326N	15	15	75	200	50

Horsepower Ratings ②③ - 600 Volts

Catalog Number	3 Phase, 480V AC		3 Phase, 600V AC		600V DC
	Std	Max	Std	Max	
HFC266	—	—	—	—	50
HFC366 ④	150	400	200	500	—
HFC366N ④	150	400	200	500	—

Accessories

Catalog Number	Description
HA165678	One Normally Open and Closed Auxiliary Switches
HA265678	Two Normally Open and Closed Auxiliary Switches
HA365678	Low Voltage Auxiliary Switch
HG656	Equipment Ground Lug Kit
HG2656	Isolated Equipment Ground Lug Kit
HNC656	Neutral Kit
HNC678	200% Neutral Kit
HR656	Class R Fuse Clip Kit (3 fuse clips per kit)
HLC65678	Copper Lug Kit (1 lug per kit)
HCL65678	Compression Lug Mounting Kit (2 kits/pole required allows (2) lugs/Ø)

Replacement Parts

Catalog Number	Description
HFB656 ⑤⑥	Fusible Line Side Replacement Base
HBB656 ⑤⑥	Fusible Load Side Replacement Base
HH65678	Replacement Handle/Handle Guard
HL65678 ⑥	Replacement Lug (1 lug per kit)
HM66	Replacement Mechanism
⑦	Replacement Door

① These switches are UL Listed for application on grounded B phase systems.

② Dual horsepower ratings:

Std - applies when non-time delay fuses are installed.

Max - applies when time-delay fuses are installed.

③ Horsepower ratings listed also apply to Design E motors through 150HP at 240V, 300HP at 480V and 350HP at 600V with no derating.

④ Rated 50HP on 250V DC systems.

⑤ Each Line and Load Replacement Base contains one pole.

⑥ Lugs are not provided on Line and Load Replacement Base Assemblies.

Order Lug Kit.

⑦ Place "DOOR" at the end of the switch catalog number.

Standards and Ratings

- CSA#1079316
- Meets CSA C22.2 No.4-0 for switches
- Meets NEMA Standard KS-1 for enclosed switches
- Meets NEC wire bending space requirements
- Rated 10,000 AIC with Class H fuses or 200,000 AIC with Class R, J and T fuses
- Rated 100,000 AIC at 600Vdc with Class R or J fuses
- I²t rated (Amps² x Seconds = 12,000,000)
- 12X overload current rating exceeds standard 10X industry standard
- Suitable for use as service entrance equipment

Features

- Quick-make and break switching action
- Visible blade design
- Highly visible ON/OFF indication
- Modular design allows quick and easy replacement of parts
- Front removable lugs which can easily be converted to copper body or compression type lugs
- Defeatable dual cover interlock

Mechanical Lug Wire Ranges (75°C, Cu/Al)

Description	Wire Range
Line, Load Neutral	(2) 1/0 AWG - 750 Kcmil or (4) 1/0 AWG - 250 Kcmil
Ground	(2) #6 AWG - 250 Kcmil
200% Neutral	(4) 1/0 AWG - 600 Kcmil
200% Ground	(4) #6 AWG - 300 Kcmil

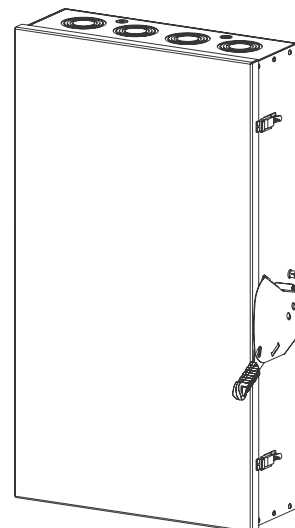
SIEMENS

Product Specification Sheet #HD600.2.1

Heavy Duty Safety Switch

Type VBII

600 Amp, Type 1 (Indoor)



General Information

Catalog Number	Volts	Description	Shipping Weight (lbs.)
HNFC266	600	2 Pole, 2 Wire, Non-Fusible	111
HNFC366	600	3 Pole, 3 Wire, Non-Fusible	116

Horsepower Ratings ①②③ - 600 Volts

Catalog Number	3 Phase, 480V AC		3 Phase, 600V AC		600V
	Std	Max	Std	Max	
HNFC266	—	—	—	—	50
HNFC366 ④	—	400	—	500	—

Accessories

Catalog Number	Description
HA165678	One Normally Open and Closed Auxiliary Switches
HA265678	Two Normally Open and Closed Auxiliary Switches
HA365678	Low Voltage Auxiliary Switch
HG656	Equipment Ground Lug Kit
HG2656	Isolated Equipment Ground Lug Kit
HNC656	Neutral Kit
HNC678	200% Neutral Kit
HLC65678	Copper Lug Kit (1 lug per kit)
HCL65678	Compression Lug Mounting Kit (2 kits/pole required allows (2) lugs/Ø)

Replacement Parts

Catalog Number	Description
HNB656 ⑤⑥	Non-Fusible Replacement Base
HH65678	Replacement Handle/Handle Guard
HL65678 ⑥	Replacement Lug (1 lug per kit)
HM66	Replacement Mechanism
⑦	Replacement Door

Mechanical Lug Wire Ranges (75°C, Cu/Al)

Neutral	or (4) 1/0 AWG - 250 Kcmil
Ground	(2) #6 AWG - 250 Kcmil
200% Neutral	(4) #1/0 AWG - 600 Kcmil
200% Ground	(4) #6 AWG - 300 Kcmil

① Dual horsepower ratings:

Std - applies when non-time delay fuses are installed.

Max - applies when time-delay fuses are installed.

② Horsepower ratings listed also apply to Design E motors through 150HP at 240V, 300HP at 480V and 350HP at 600V with no derating.

③ Also rated 200HP on 3 Ø, 240V AC systems.

④ Rated 50HP on 250V DC systems.

⑤ Replacement Base contains one pole.

⑥ Lugs are not provided on the Replacement Base Assembly.

Order LugKit.

⑦ Place "DOOR" at the end of the switch catalog number.

Standards and Ratings

- CSA#1079316
- Meets CSA C22.2 No.4-04 for switches
- Meets NEMA Standard KS-1 for enclosed switches
- Meets NEC wire bending space requirements
- Rated 10,000 AIC as standard or 200,000 AIC when protected with Class R, T or J fuses rated 600 amp maximum
- 12X overload current rating exceeds standard 10X industry standard
- Suitable for use as service entrance equipment

Features

- Quick-make and break switching action
- Visible blade design
- Highly visible ON/OFF indication
- Modular design allows quick and easy replacement of parts
- Front removable lugs which can easily be converted to copper body or compression type lugs
- Defeatable dual cover interlock

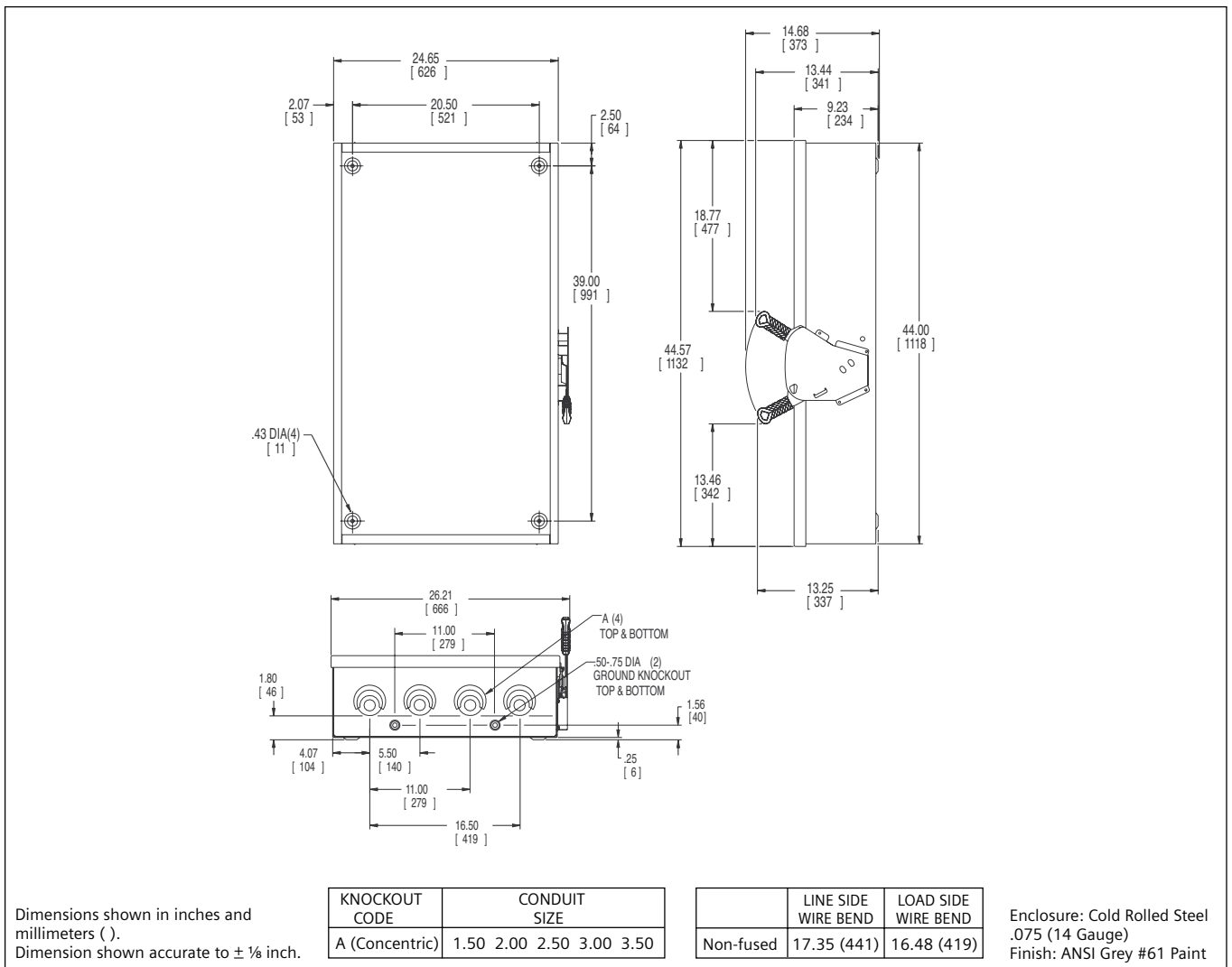
SIEMENS

Product Specification Sheet #HD600.2 (page 2)

Compression Lugs ①

Wire Size	Burndy		Thomas-Betts		IlSCO	
	CU ONLY	CU/AL	CU ONLY	CU/AL	CU ONLY	CU/AL
2/0	YA26-N	YA26-A1	54160 54951BE			IACL-2/0 ACN-2/0
3/0	YA27-L Box YA27	YA27A3	54165-TB 54965BE		CRB-3/0 CRB-3/0L	IACL-3/0 ACN-3/0
4/0	YA28-L Box YA28	YA28A3	54170 54970BE	60150	CRB-4/0 CRB-4/0L	IACL-4/0 ACN-4/0
250 Kcmil	YA29-L Box YA29	YA29A1	54113 54913BE	61156 60156	CRA-250 CRA-250L	IACL-250 ACL-250
300 Kcmil	YA30-L YA30	YA30A1	54114 54914BE	61162 60162	CRA-300 CRA-300L	IACL-300 ACL-300
350 Kcmil	YA31-L YA31	YA31A1	54915BE	61165 60165	CRA-350 CRA-350L	IACL-350 ACL-350
400 Kcmil	YA32-N		54116 54916BE			
500 Kcmil	YA34-L6 YA34-N			61171		IACL-500

Dimension Drawing



① If compression lugs are used, order compression lug mounting kit HCL65678.

Siemens Canada Ltd.
Automation & Drives
1550 Appleby Line
Burlington, Ontario L7L 6X7

www.siemens.ca

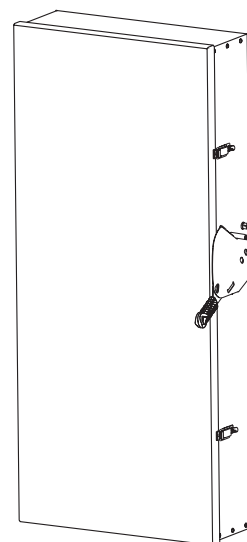
©Siemens Canada Ltd.
Siemens is a registered trademark of Siemens AG
Specifications are subject to change without notice.

Product Specification Sheet #HD800.1.1

Heavy Duty Safety Switch

Type VBII

800 Amp, Type 1 (Indoor)



General Information

Catalog Number	Volts	Description	Shipping Weight (lbs.)
HFC227N ①	240	2 Pole, 3 Wire, Fusible	365
HFC327N ①	240	3 Pole, 4 Wire, Fusible	375
HFC367	600	3 Pole, 3 Wire, Fusible	365
HFC367N	600	3 Pole, 4 Wire, Fusible	375

Horsepower Ratings ② - 240 Volts

Catalog Number	1 Phase, 240V AC		3 Phase, 240V AC		250V DC
	Std	Max	Std	Max	
HFC227N	—	—	100	250	—
HFC327N	—	—	100	250	—

Horsepower Ratings ② - 600 Volts

Catalog Number	3 Phase, 480V AC		3 Phase, 600V AC		600V DC
	Std	Max	Std	Max	
HFC367	200	500	250	500	—
HFC367N	200	500	250	500	—

Accessories

Catalog Number	Description
HA165678	One Normally Open and Closed Auxiliary Switches
HA265678	Two Normally Open and Closed Auxiliary Switches
HA365678	Low Voltage Auxiliary Switch
HG678	Equipment Ground Lug Kit
HNC678	Neutral Kit
TFAK72	240V Class T Fuse Mounting Kit (1 per pole)
TFAK75	600V Class T Fuse Mounting Kit (1 per pole)
③	Copper Lug Kit (1 lug per kit)
④	Compression Lug Mounting Kit (2 kits/pole required allows (4) lugs/Ø)

Replacement Parts

Catalog Number	Description
HFB67A ⑤⑥	Fusible Line Side Replacement Base
HBB67A ⑤⑥	Fusible Load Side Replacement Base
HH65678	Replacement Handle/Handle Guard
HM67	Replacement Mechanism
⑦	Replacement Door
HL67	Replacement Lugs ⑧

① These switches are UL Listed for application on grounded B phase systems.

② Dual horsepower ratings:

Std - applies when non-time delay fuses are installed.

Max - applies when time-delay fuses are installed.

③ Catalog Number HLC65678 factory installed only.

④ Catalog Number HCL65678 factory installed only.

⑤ Each Line and Load Replacement Base contains one pole.

⑥ Lugs are provided on Line and Load Replacement Base Assemblies.

⑦ Place "DOORA" at the end of the switch catalog number.

⑧ One required per pole for either line or load.

Standards and Ratings

- CSA#1079316
- Meets CSA C22.2 No.4-04 for switches
- Meets NEMA Standard KS-1 for enclosed switches
- Meets NEC wire bending space requirements
- Rated 200,000 AIC with Class L and T fuses
- Suitable for use as service entrance equipment

Features

- Quick-make and break switching action
- Visible blade design
- Highly visible ON/OFF indication
- Modular design allows quick and easy replacement of parts
- Defeatable dual cover interlock

Mechanical Lug Wire Ranges (75°C, Cu/Al)

Description	Wire Range
Line, Load	(3) 1/0 AWG - 750 Kcmil
Neutral	(4) 1/0 AWG - 750 Kcmil
Ground	(4) #6 AWG - 250 Kcmil

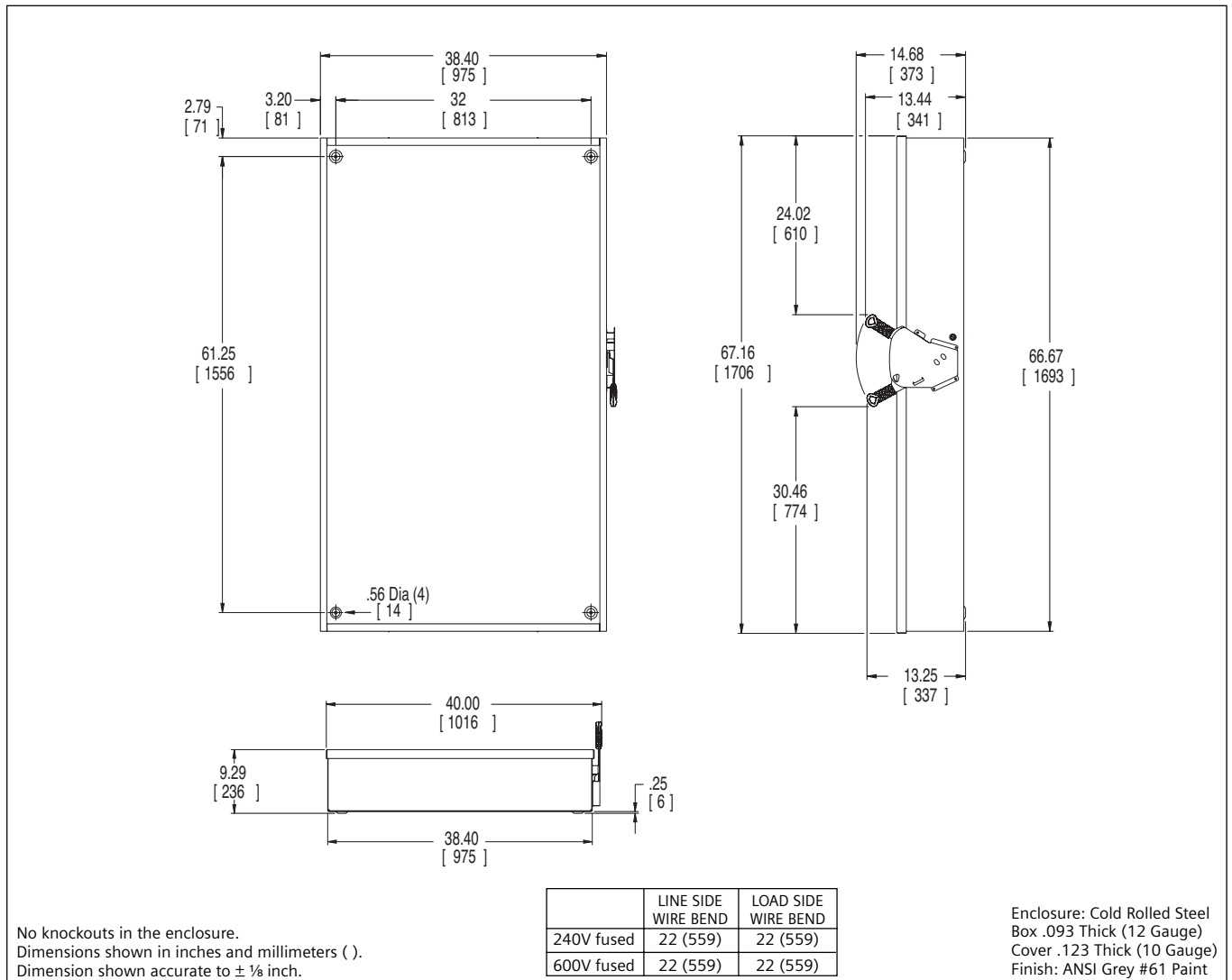
SIEMENS

Product Specification Sheet #HD800.1 (page 2)

Compression Lugs (Factory installed mounting kit HCL67T for top and HCL67B for bottom required.)

Wire Size	Burndy		Thomas-Betts		Ilco	
	CU ONLY	CU/AL	CU ONLY	CU/AL	CU ONLY	CU/AL
2/0	YA26-N	YA26-A1	54160 54951BE			IACL-2/0 ACN-2/0
3/0	YA27-L Box YA27	YA27A3	54165-TB 54965BE		CRB-3/0 CRB-3/OL	IACL-3/0 ACN-3/0
4/0	YA28-L Box YA28	YA28A3	54170 54970BE	60150	CRB-4/0 CRB-4/OL	IACL-4/0 ACN-4/0
250 Kcmil	YA29-L Box YA29	YA29A1	54113 54913BE	61156 60156	CRA-250 CRA-250L	IACL-250 ACL-250
300 Kcmil	YA30-L YA30	YA30A1	54114 54914BE	61162 60162	CRA-300 CRA-300L	IACL-300 ACL-300
350 Kcmil	YA31-L YA31	YA31A1	54915BE	61165 60165	CRA-350 CRA-350L	IACL-350 ACL-350
400 Kcmil	YA32-N		54116 54916BE			
500 Kcmil	YA34-L6 YA34-N			61171		IACL-500

Dimension Drawing



Siemens Canada Ltd.
Automation & Drives
1550 Appleby Line
Burlington, Ontario L7L 6X7

www.siemens.ca

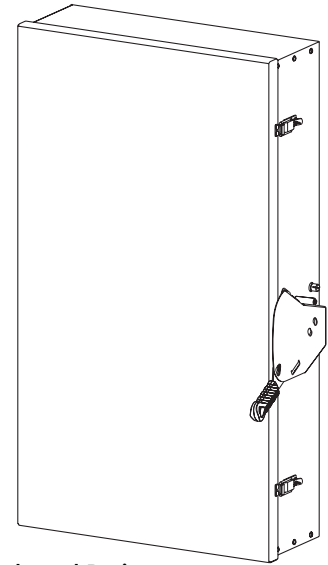
©Siemens Canada Ltd.
Siemens is a registered trademark of Siemens AG
Specifications are subject to change without notice.

Product Specification Sheet #HD800.2.1

Heavy Duty Safety Switch

Type VBII

800 Amp, Type 1 (Indoor)



General Information

Catalog Number	Volts	Description	Shipping Weight (lbs.)
HNFC367	600	3 Pole, 3 Wire, Non-Fusible	285

Horsepower Ratings ^{①②} - 600 Volts

Catalog Number	3 Phase, 480V AC		3 Phase, 600V AC		600V DC
	Std	Max	Std	Max	
HNFC367	—	500	—	500	—

Accessories

Catalog Number	Description
HA165678	One Normally Open and Closed Auxiliary Switches
HA265678	Two Normally Open and Closed Auxiliary Switches
HA365678	Low Voltage Auxiliary Switch
HG678	Equipment Ground Lug Kit
HNC678	Neutral Kit
③	Copper Lug Kit (1 lug per kit)
④	Compression Lug Mounting Kit (2 kits/pole required allows (4) lugs/Ø)

Replacement Parts

Catalog Number	Description
HNB67A ⑤⑥	Non-Fusible Replacement Base
HH65678	Replacement Handle/Handle Guard
HM67	Replacement Mechanism
⑦	Replacement Door
HL67	Replacement Lugs ⑧

Mechanical Lug Wire Ranges (75°C, Cu/Al)

Wire Type	Range
Neutral	(4) 1/0 AWG - 750 Kcmil
Ground	(4) #6 AWG - 250 Kcmil

- ① Dual horsepower ratings:
Std - applies when non-time delay fuses are installed.
Max - applies when time-delay fuses are installed.
- ② Also rated 250HP on 3 Ø, 240V AC systems.
- ③ Catalog number HLC65678 factory installed only.
- ④ Catalog number HCL65678 factory installed only.
- ⑤ Replacement Base contains one pole.
- ⑥ Lugs are provided on the Replacement Base Assembly.
- ⑦ Place "DOORA" at the end of the switch catalog number.
- ⑧ One required per pole for either line or load.

Standards and Ratings

- CSA#1079316
- Meets CSA C22.2 No.4-04 for switches
- Meets NEMA Standard KS-1 for enclosed switches
- Meets NEC wire bending space requirements
- Rated 10,000 AIC as standard or 200,000 AIC when protected with Class L or T fuses
- Suitable for use as service entrance equipment

Features

- Quick-make and break switching action
- Visible blade design
- Highly visible ON/OFF indication
- Modular design allows quick and easy replacement of parts
- Defeatable dual cover interlock

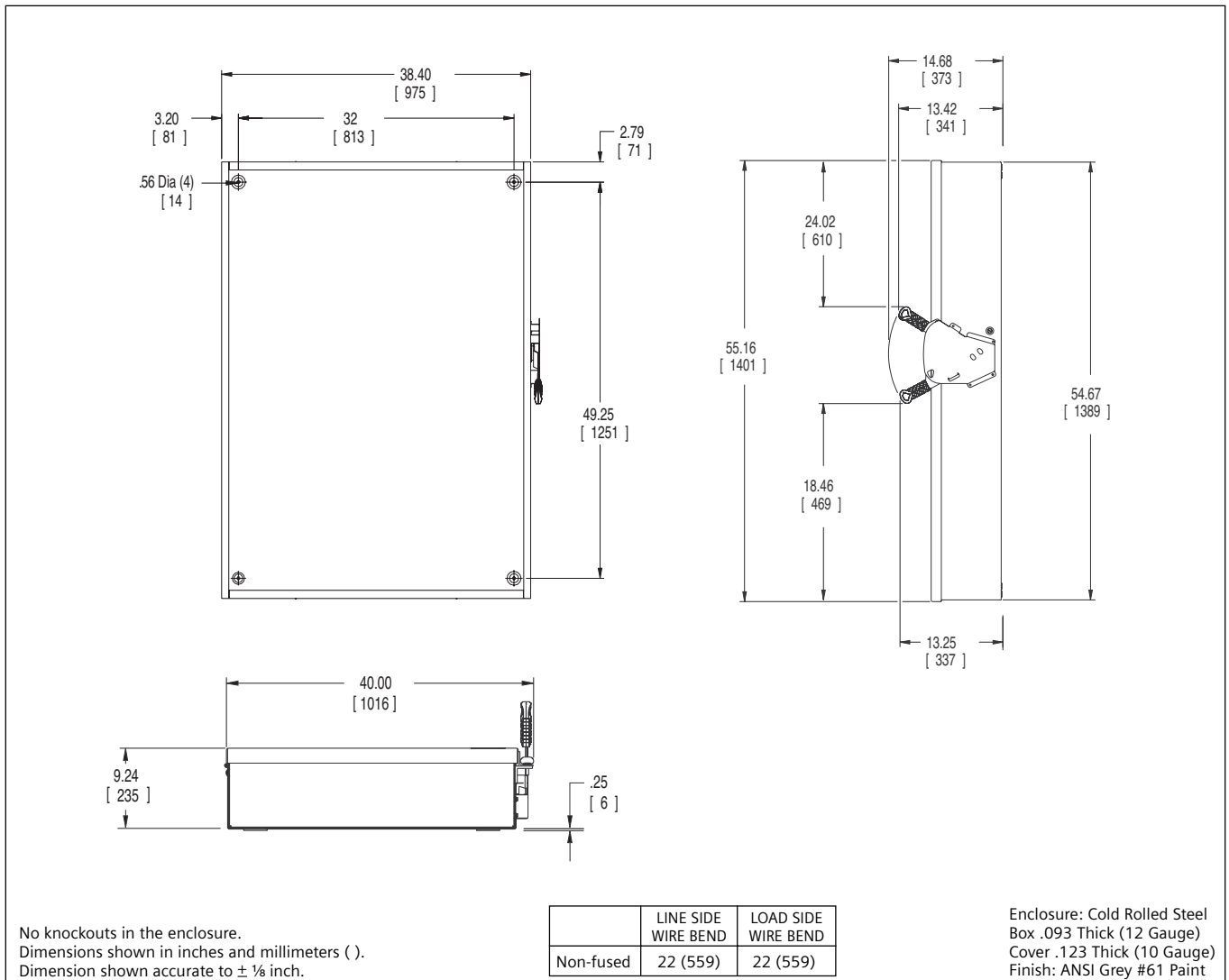
SIEMENS

Product Specification Sheet #HD800.2 (page 2)

Compression Lugs (Factory installed mounting kit HCL67T for top and HCL67B for bottom required.)

Wire Size	Burndy		Thomas-Betts		Ilsco	
	CU ONLY	CU/AL	CU ONLY	CU/AL	CU ONLY	CU/AL
2/0	YA26-N	YA26-A1	54160 54951BE			IACL-2/0 ACN-2/0
3/0	YA27-L Box YA27	YA27A3	54165-TB 54965BE		CRB-3/0 CRB-3/OL	IACL-3/0 ACN-3/0
4/0	YA28-L Box YA28	YA28A3	54170 54970BE	60150	CRB-4/0 CRB-4/OL	IACL-4/0 ACN-4/0
250 Kcmil	YA29-L Box YA29	YA29A1	54113 54913BE	61156 60156	CRA-250 CRA-250L	IACL-250 ACL-250
300 Kcmil	YA30-L YA30	YA30A1	54114 54914BE	61162 60162	CRA-300 CRA-300L	IACL-300 ACL-300
350 Kcmil	YA31-L YA31	YA31A1	54915BE	61165 60165	CRA-350 CRA-350L	IACL-350 ACL-350
400 Kcmil	YA32-N		54116 54916BE			
500 Kcmil	YA34-L6 YA34-N			61171		IACL-500

Dimension Drawing



Siemens Canada Ltd.
Automation & Drives
1550 Appleby Line
Burlington, Ontario L7L 6X7

www.siemens.ca

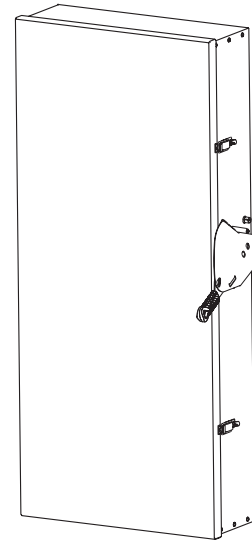
©Siemens Canada Ltd.
Siemens is a registered trademark of Siemens AG
Specifications are subject to change without notice.

Product Specification Sheet #HD1200.1.1

Heavy Duty Safety Switch

Type VBII

1200 Amp, Type 1 (Indoor)



General Information

Number	Volts	Description	Weight (lbs.)
HFC328N	240	3 Pole, 4 Wire, Fusible	395
HFC368	600	3 Pole, 3 Wire, Fusible	383
HFC368N	600	3 Pole, 4 Wire, Fusible	395

Horsepower Ratings ^② - 240 Volts

Catalog Number	240V AC		250V AC		600V DC
	Std	Max	Std	Max	
HFC328N	—	—	100	250	—

Horsepower Ratings ^② - 600 Volts

Catalog Number	3 Phase, 480V AC		3 Phase, 600V AC		600V DC
	Std	Max	Std	Max	
HFC368	200	500	250	500	—
HFC368N	200	500	250	500	—

Accessories

Catalog Number	Description
HA165678	One Normally Open and Closed Auxiliary Switches
HA265678	Two Normally Open and Closed Auxiliary Switches
HA365678	Low Voltage Auxiliary Switch
HG678	Equipment Ground Lug Kit
HNC678	Neutral Kit
TFAK82	240V Class T Fuse Mounting Kit (1 per pole)
③	Copper Lug Kit (1 lug per kit)
④	Compression Lug Mounting Kit (2 kits/pole required allows (4) lugs/Ø)

Replacement Parts

Catalog Number	Description
HFB68 ⑤⑥	Fusible Line Side Replacement Base
HBB68 ⑤⑥	Fusible Load Side Replacement Base
HH68	Replacement Handle/Handle Guard
HM678	Replacement Mechanism
⑦	Replacement Door

① These switches are UL Listed for application on grounded B phase systems.

② Dual horsepower ratings:

Std - applies when non-time delay fuses are installed.

Max - applies when time-delay fuses are installed.

③ Catalog number HLC65678 factory installed only.

④ Catalog number HCL65678 factory installed only.

⑤ Each Line and Load Replacement Base contains one pole.

⑥ Lugs are provided on Line and Load Replacement Base Assemblies.

⑦ Place "DOOR" at the end of the switch catalog number.

Standards and Ratings

- CSA#1079316
- Meets CSA C22.2 No.4-04 for switches
- Meets NEMA Standard KS-1 for enclosed switches
- Meets NEC wire bending space requirements
- Rated 200,000 AIC with Class L and T fuses
- Suitable for use as service entrance equipment

Features

- Quick-make and break switching action
- Visible blade design
- Highly visible ON/OFF indication
- Modular design allows quick and easy replacement of parts
- Defeatable dual cover interlock

Mechanical Lug Wire Ranges (75°C, Cu/Al)

Terminal	Wire Range
Neutral	(4) 1/0 AWG - 750 Kcmil
Ground	(4) #6 AWG - 250 Kcmil

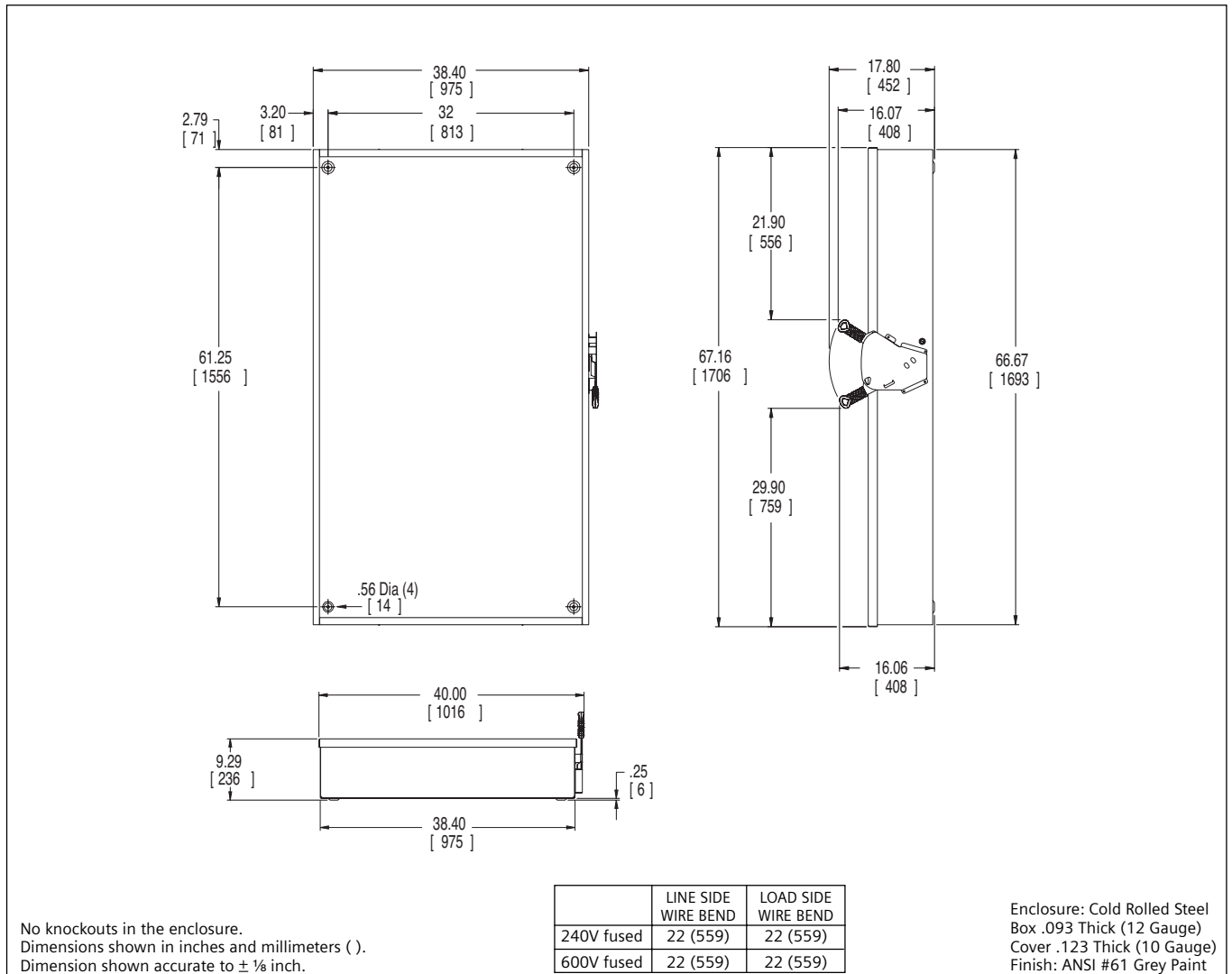
SIEMENS

Product Specification Sheet #HD1200.1 (page 2)

Compression Lugs (Factory installed mounting kit HCL68T for top and HCL68B for bottom required.)

Wire Size	Burndy		Thomas-Betts		Ilsco	
	CU ONLY	CU/AL	CU ONLY	CU/AL	CU ONLY	CU/AL
2/0	YA26-N	YA26-A1	54160 54951BE			IACL-2/0 ACN-2/0
3/0	YA27-L Box YA27	YA27A3	54165-TB 54965BE		CRB-3/0 CRB-3/0L	IACL-3/0 ACN-3/0
4/0	YA28-L Box YA28	YA28A3	54170 54970BE	60150	CRB-4/0 CRB-4/0L	IACL-4/0 ACN-4/0
250 Kcmil	YA29-L Box YA29	YA29A1	54113 54913BE	61156 60156	CRA-250 CRA-250L	IACL-250 ACL-250
300 Kcmil	YA30-L YA30	YA30A1	54114 54914BE	61162 60162	CRA-300 CRA-300L	IACL-300 ACL-300
350 Kcmil	YA31-L YA31	YA31A1	54915BE	61165 60165	CRA-350 CRA-350L	IACL-350 ACL-350
400 Kcmil	YA32-N		54116 54916BE			
500 Kcmil	YA34-L6 YA34-N			61171		IACL-500

Dimension Drawing



Siemens Canada Ltd.
Automation & Drives
1550 Appleby Line
Burlington, Ontario L7L 6X7

www.siemens.ca

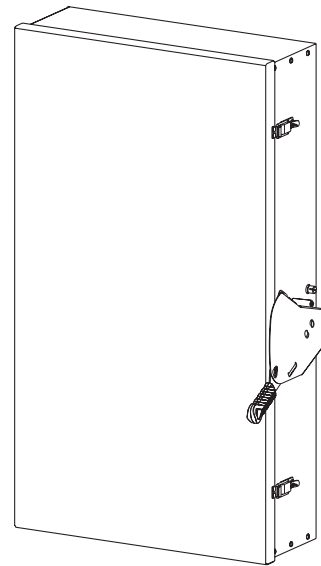
©Siemens Canada Ltd.
Siemens is a registered trademark of Siemens AG
Specifications are subject to change without notice.

Product Specification Sheet #HD1200.2.1

Heavy Duty Safety Switch

Type VBII

1200 Amp, Type 1 (Indoor)



General Information

Catalog Number	Volts	Description	Shipping Weight (lbs.)
HNFC368	600	3 Pole, 3 Wire, Non-Fusible	305

Horsepower Ratings ①② - 600 Volts

Catalog Number	3 Phase, 480V AC		3 Phase, 600V AC		600V DC
	Std	Max	Std	Max	
HNFC368	—	500	—	500	—

Accessories

Catalog Number	Description
HA165678	One Normally Open and Closed Auxiliary Switches
HA265678	Two Normally Open and Closed Auxiliary Switches
HA365678	Low Voltage Auxiliary Switch
HG678	Equipment Ground Lug Kit
HNC678	Neutral Kit
③	Copper Lug Kit (1 lug per kit)
④	Compression Lug Mounting Kit (2 kits/pole required allows (4) lugs/Ø)

Replacement Parts

Catalog Number	Description
HNB678 ⑤⑥	Non-Fusible Replacement Base
HH68	Replacement Handle/Handle Guard
HM678	Replacement Mechanism
⑦	Replacement Door

Mechanical Lug Wire Ranges (75°C, Cu/Al)

Terminal	Wire Range
Neutral	(4) 1/0 AWG - 750 Kcmil
Ground	(4) #6 AWG - 250 Kcmil

- ① Dual horsepower ratings:
 Std - applies when non-time delay fuses are installed.
 Max - applies when time-delay fuses are installed.
- ② Also rated 250HP on 3 Ø, 240V AC systems.
- ③ Catalog number HLC65678 factory installed only.
- ④ Catalog number HCL65678 factory installed only.
- ⑤ Replacement Base contains one pole.
- ⑥ Lugs are provided on the Replacement Base Assembly.
- ⑦ Place "DOOR" at the end of the switch catalog number.

Standards and Ratings

- CSA#1079316
- Meets CSA C22.2 No.4-04 for switches
- Meets NEMA Standard KS-1 for enclosed switches
- Meets NEC wire bending space requirements
- Rated 10,000 AIC as standard or 200,000 AIC when protected with Class L or T fuses
- Suitable for use as service entrance equipment

Features

- Quick-make and break switching action
- Visible blade design
- Highly visible ON/OFF indication
- Modular design allows quick and easy replacement of parts
- Defeatable dual cover interlock

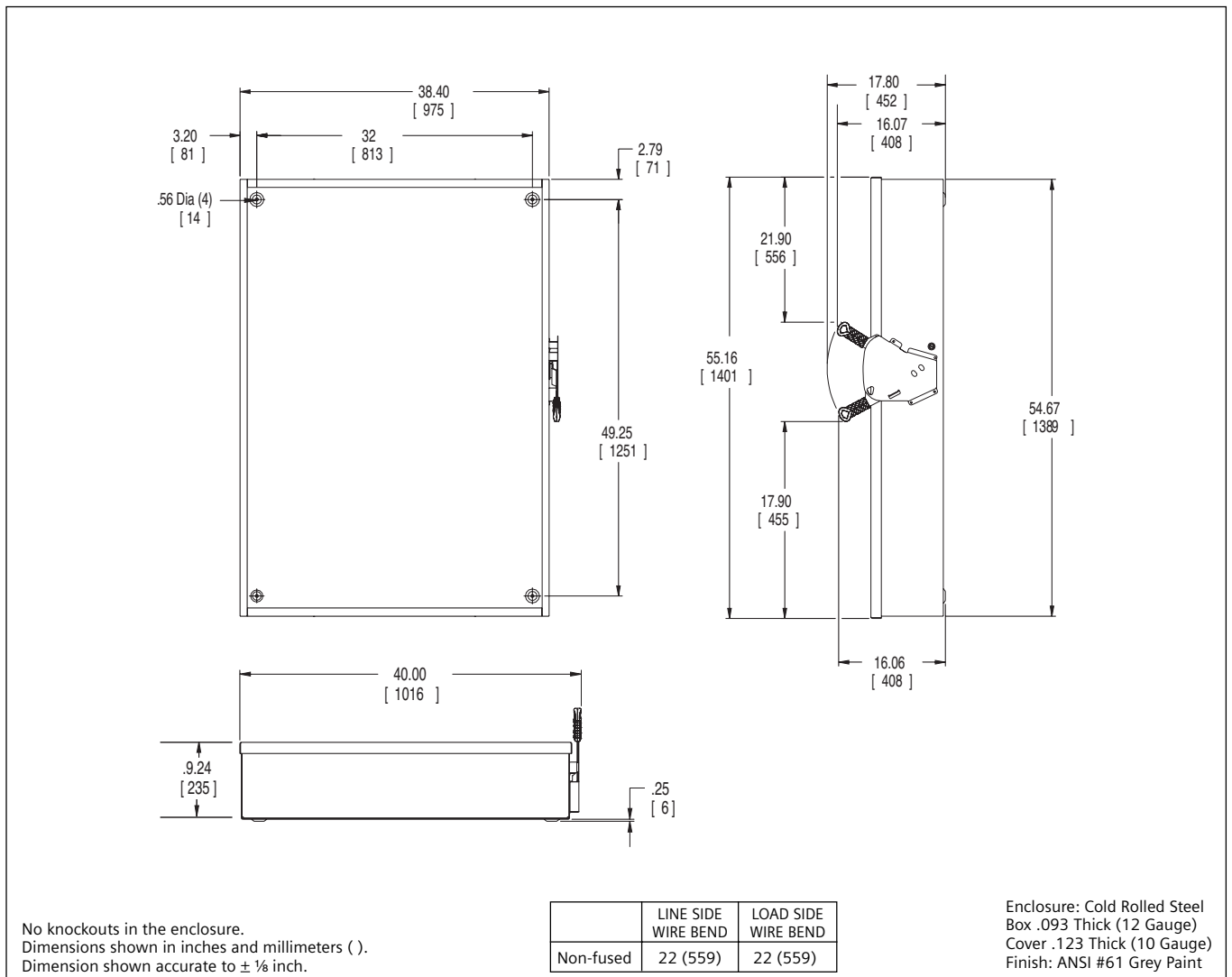
SIEMENS

Product Specification Sheet #HD1200.2 (page 2)

Compression Lugs (Factory installed mounting kit HCL68T for top and HCL68B for bottom required.)

Wire Size	Burndy		Thomas-Betts		IIsco	
	CU ONLY	CU/AL	CU ONLY	CU/AL	CU ONLY	CU/AL
2/0	YA26-N	YA26-A1	54160 54951BE			IACL-2/0 ACN-2/0
3/0	YA27-L Box YA27	YA27A3	54165-TB 54965BE		CRB-3/0 CRB-3/OL	IACL-3/0 ACN-3/0
4/0	YA28-L Box YA28	YA28A3	54170 54970BE	60150	CRB-4/0 CRB-4/OL	IACL-4/0 ACN-4/0
250 Kcmil	YA29-L Box YA29	YA29A1	54113 54913BE	61156 60156	CRA-250 CRA-250L	IACL-250 ACL-250
300 Kcmil	YA30-L YA30	YA30A1	54114 54914BE	61162 60162	CRA-300 CRA-300L	IACL-300 ACL-300
350 Kcmil	YA31-L YA31	YA31A1	54915BE	61165 60165	CRA-350 CRA-350L	IACL-350 ACL-350
400 Kcmil	YA32-N		54116 54916BE			
500 Kcmil	YA34-L6 YA34-N			61171		IACL-500

Dimension Drawing



Siemens Canada Ltd.
Automation & Drives
1550 Appleby Line
Burlington, Ontario L7L 6X7

www.siemens.ca

©Siemens Canada Ltd.
Siemens is a registered trademark of Siemens AG
Specifications are subject to change without notice.