

Product Specification Sheet #HD30.7.1

Heavy Duty Safety Switch

Type VBII

30 Amp, Type 4/4X (Stainless Steel)

General Information

Catalog Number	Volts	Description	Shipping Weight (lbs.)
HNFC261S	600	2 Pole, 2 Wire, Non-Fusible	13
HNFC361S	600	3 Pole, 3 Wire, Non-Fusible	13

Horsepower Ratings ① ② ③ - 600 Volts

Catalog Number	3 Phase, 480V AC		3 Phase, 600V AC		600V DC
	Std	Max	Std	Max	
HNFC261S	—	— ^④	—	— ^④	15
HNFC361S	—	20 ^⑤	—	8	—

Accessories

Catalog Number	Description
HA161234	One Normally Open and Closed Auxiliary Switches
HA261234	Two Normally Open and Closed Auxiliary Switches
HA361234	Low Voltage Auxiliary Switch
HG61234	Equipment Ground Lug Kit
HG261234	Isolated Equipment Ground Lug Kit
HNC612	Neutral Kit
HLC612	Copper Lug Kit (9 lugs per kit)
HCL612	Compression Lug Neutral Barrier Kit
SSH075	0.75" Type 4/4X Hub
SSH100	1.00" Type 4/4X Hub

Replacement Parts

Catalog Number	Description
HNB612	Non-Fusible Replacement Base
HH6123S	Replacement Handle/Handle Guard
HL612	Replacement Lugs (3 lugs per kit)
HM6123S	Replacement Mechanism
⑥	Replacement Door

Mechanical Lug Wire Ranges (60/75°C, Cu/Al)

Description	Wire Range
Line, Load Neutral	#12-6 AWG (Al) or #14-6 AWG (Cu)
Ground	#14-4 AWG

① Dual horsepower ratings:

Std - applies when non-time delay fuses are installed.

Max - applies when time-delay fuses are installed.

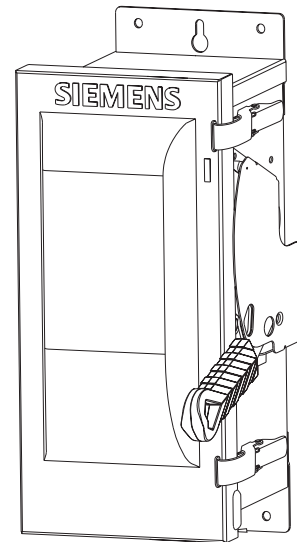
② Horsepower ratings listed also apply to Design E motors through 15HP at 480V and 20HP at 600V with no derating.

③ Also rated 5HP at 250V DC.

④ Also rated 7 ½ HP at 480V, 1 phase and 10HP at 600V, 1 phase.

⑤ Also rated 10 HP on 3 Phase, 240V AC systems.

⑥ Place "DOOR" at the end of the switch catalog number.



Standards and Ratings

- CSA#1079316
- Meets CSA C22.2 No.4-04 for switches
- Meets NEMA Standard KS-1 for enclosed switches
- Meets NEC wire bending space requirements
- Rated 10,000 AIC as standard or 200,000 AIC when protected by Class R, T or J fuses rated 30 amp maximum
- I²t rated (Amps² x Seconds = 50,000)
- 12X overload current rating exceeds standard 10X industry standard
- Suitable for use as service entrance equipment

Features

- Quick-make and break switching action
- Double break visible blade design
- Highly visible ON/OFF indication
- Rugged installer friendly enclosure design
- Modular design allows quick and easy replacement of parts
- Front removable lugs which can easily be converted to copper body or compression type lugs
- Defeatable dual cover interlock

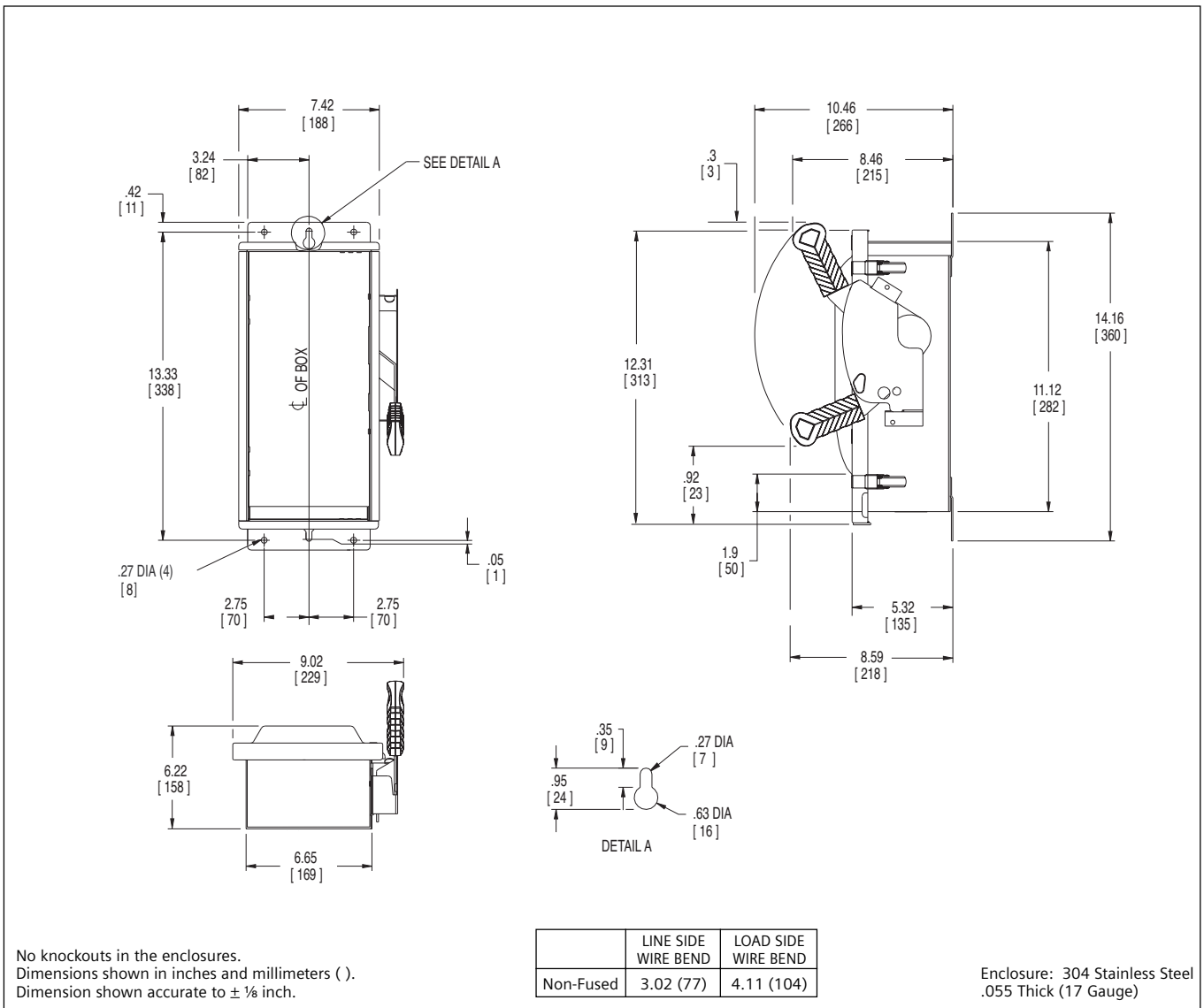
SIEMENS

Product Specification Sheet #HD30.7 (page 2)

Compression Lugs ①

Wire Size	Burdny		Thomas-Betts		IlSCO	
	CU ONLY	CU/AL	CU ONLY	CU/AL	CU ONLY	CU/AL
#14-10				60096 60097		
#8	YA8C-L BOX YA8C-L1 BOX		54104 54130	60101 60102 61102	CRA-8	ACL-8 ACN-8
#6				61107		

Dimension Drawing



① If compression lugs are used for the neutral order compression lug neutral barrier kit HCL612.

Siemens Canada Ltd.
Automation & Drives
1550 Appleby Line
Burlington, Ontario L7L 6X7

www.siemens.ca

©Siemens Canada Ltd.
Siemens is a registered trademark of Siemens AG
Specifications are subject to change without notice.

Product Specification Sheet #HD30.8.1

Heavy Duty Safety Switch

Type VBII

30 Amp, Type 4/4X (Stainless Steel)

General Information

Catalog Number	Volts	Description	Shipping Weight (lbs.)
HFC221S	240	2 Pole, 2 Wire, Fusible	13
HFC321S	240	3 Pole, 3 Wire, Fusible	14
HFC261S	600	2 Pole, 2 Wire, Fusible	15
HFC361S	600	3 Pole, 3 Wire, Fusible	15

Horsepower Ratings ①② - 240 Volts

Catalog Number	1 Phase, 240V AC		3 Phase, 240V AC		250V DC
	Std	Max	Std	Max	
HFC221S	1½	3	3	7½	5
HFC321S	1½	3	3	7½	5

Horsepower Ratings ①② - 600 Volts

Catalog Number	3 Phase, 480V AC		3 Phase, 600V AC		600V DC
	Std	Max	Std	Max	
HFC261S	—	— ^③	—	— ^③	15
HFC361S	5	15	7½	20	— ^④

Accessories

Catalog Number	Description
HA161234	One Normally Open and Closed Auxiliary Switches
HA261234	Two Normally Open and Closed Auxiliary Switches
HA361234	Low Voltage Auxiliary Switch
HG61234	Equipment Ground Lug Kit
HG261234	Isolated Equipment Ground Lug Kit
HP61	Fuse Puller (3 per kit)
HNC612	Neutral Kit
HR21	240 Volt Class R Fuse Clip Kit (3 fuse clips per kit) (HF221S, HF321S)
HR612	600 Volt Class R Fuse Clip Kit (3 fuse clips per kit) (HF261S, HF361S)
HLC612	Copper Lug Kit (9 lugs per kit)
HCL612	Compression Lug Neutral Barrier Kit
SSH075	0.75" Type 4/4X Hub
SSH100	1.00" Type 4/4X Hub

Replacement Parts

Catalog Number	Description
HFB21	240 Volt Line Side Replacement Base (HF221S, HF321S)
HBB21	240 Volt Load Side Replacement Base (HF221S, HF321S)
HFB612	600 Volt Line Side Replacement Base (HF261S, HF361S)
HBB612	600 Volt Load Side Replacement Base (HF261S, HF361S)
HH6123S	Replacement Handle/Handle Guard
HL612	Replacement Lugs (3 lugs per kit)
HM6123S	Replacement Mechanism
⑤	Replacement Kit Door

① Dual horsepower ratings:

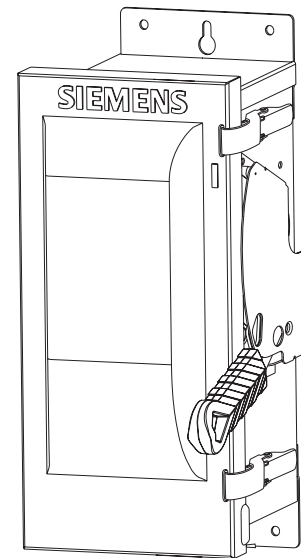
Std - applies when non-time delay fuses are installed.
Max - applies when time-delay fuses are installed.

② Horsepower ratings listed also apply to Design E motor with no derating.

③ Also rated 7½ HP at 480V, 1 phase and 10HP at 600V, 1 phase.

④ Also rated 5HP at 250V DC.

⑤ Place "DOOR" at the end of the switch catalog number.



Standards and Ratings

- CSA#1079316
- Meets CSA C22.2 No.4-04 for switches
- Meets NEMA Standard KS-1 for enclosed switches
- Meets NEC wire bending space requirements
- Rated 10,000 AIC with Class H fuses or 200,000 AIC with Class R and J fuses
- Rated 100,000 AIC at 600Vdc with Class R or J fuses
- I²t rated (Amps² x Seconds = 50,000)
- 12X overload current rating exceeds standard 10X industry standard
- Suitable for use as service entrance equipment

Features

- Quick-make and break switching action
- Double break visible blade design
- Highly visible ON/OFF indication
- Rugged installer friendly enclosure design
- Modular design allows quick and easy replacement of parts
- Front removable lugs which can easily be converted to copper body or compression type lugs
- Defeatable dual cover interlock

Mechanical Lug Wire Ranges (60/75°C, Cu/Al)

Description	Wire Range
Line, Load Neutral	#12-6 AWG (Al) or #14-6 AWG (Cu)
Ground	#14-4 AWG

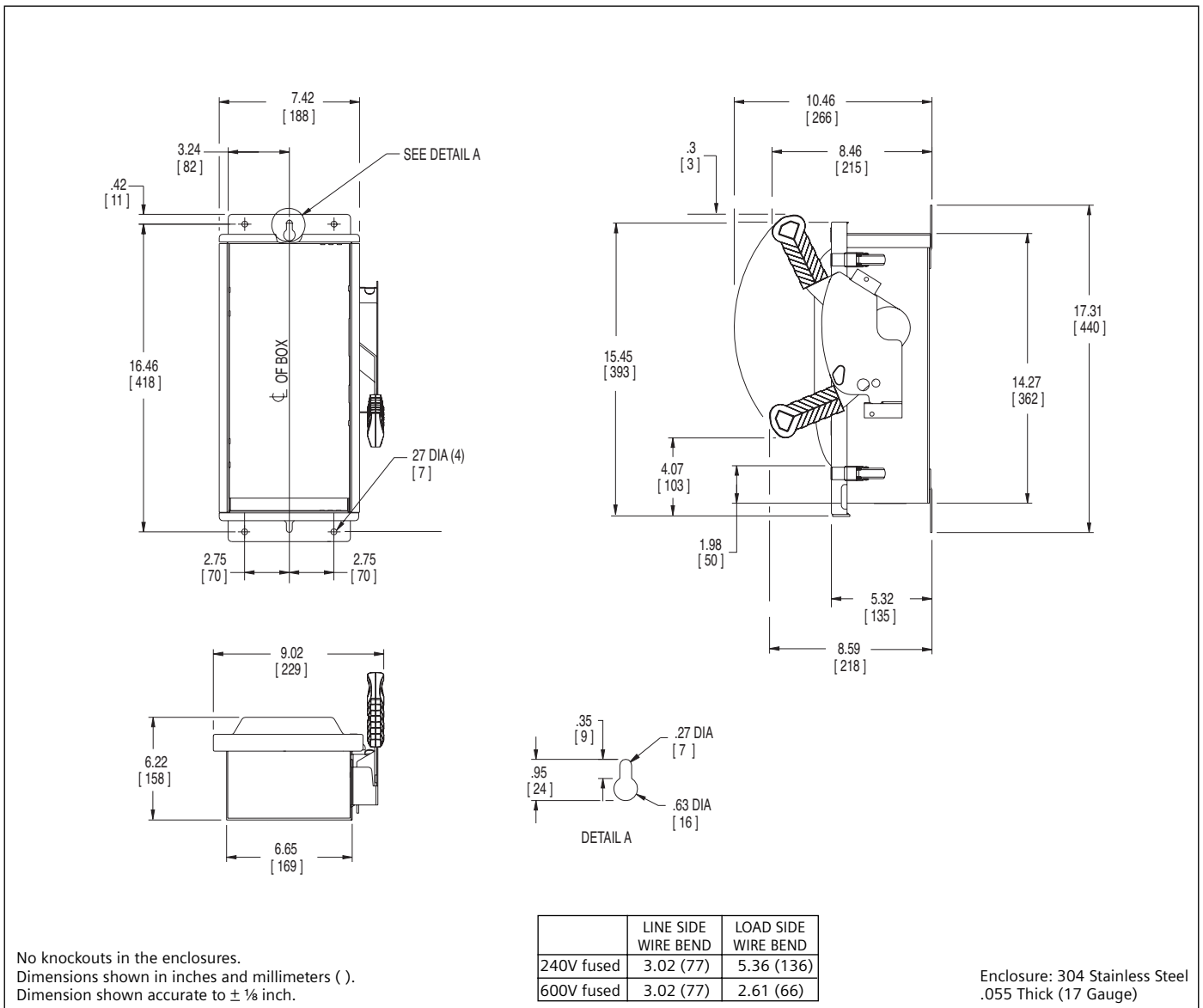
SIEMENS

Product Specification Sheet #HD30.8 (page 2)

Compression Lugs ①

Wire Size	Burndy		Thomas-Betts		IlSCO	
	CU ONLY	CU/AL	CU ONLY	CU/AL	CU ONLY	CU/AL
#14-10				60096 60097		
#8	YA8C-L BOX YA8C-L1 BOX		54104 54130	60101 60102 61102	CRA-8	ACL-8 ACN-8
#6				61107		

Dimension Drawing



① If compression lugs are used for the neutral, order compression lug neutral barrier kit HCL612.

Siemens Canada Ltd.
 Automation & Drives
 1550 Appleby Line
 Burlington, Ontario L7L 6X7

www.siemens.ca

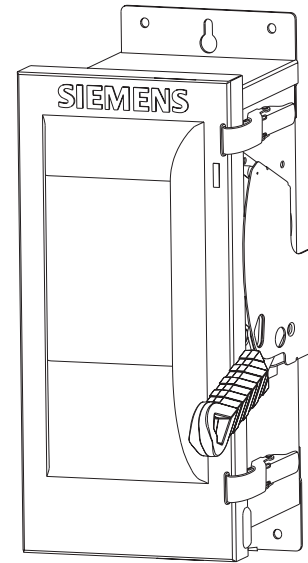
©Siemens Canada Ltd.
 Siemens is a registered trademark of Siemens AG
 Specifications are subject to change without notice.

Product Specification Sheet #HD60.4.1

Heavy Duty Safety Switch

Type VBII

60 Amp, Type 4/4X (Stainless Steel)



General Information

Number	Volts	Description	Weight (lbs.)
HFC322S	240	3 Pole, 3 Wire, Fusible	20
HFC262S	600	2 Pole, 2 Wire, Fusible	20
HFC362S	600	3 Pole, 3 Wire, Fusible	20
HNFC262S	600	2 Pole, 2 Wire, Non-Fusible	20
HNFC362S	600	3 Pole, 3 Wire, Non-Fusible	19

Horsepower Ratings ① ② - 240 Volts

Catalog Number	240V AC		250V AC		250V DC
	Std	Max	Std	Max	
HFC322S	3	10	7½	15	10

Horsepower Ratings ① ② ③ - 600 Volts

Catalog Number	3 Phase, 480V AC		3 Phase, 600V AC		600V DC
	Std	Max	Std	Max	
HFC262S	—	— ^④	—	— ^④	30
HFC362S	15	30	15	50	25
HNFC262S	—	— ^④	—	— ^④	30
HNFC362S ^⑤	—	50	—	60	25

Accessories

Catalog Number	Description
HA161234	One Normally Open and Closed Auxiliary Switches
HA261234	Two Normally Open and Closed Auxiliary Switches
HA361234	Low Voltage Auxiliary Switch
HG61234	Equipment Ground Lug Kit
HG261234	Isolated Equipment Ground Lug Kit
HP62	Fuse Puller (3 per kit) (HF262S, HF222S, HF322S, HF362S)
HNC623	Neutral Kit
HR612	240 Volt Class R Fuse Clip Kit (3 fuse clips per kit) (HF222S, HF322S)
HR62	600 Volt Class R Fuse Clip Kit (3 fuse clips per kit) (HF262S, HF362S)
HLC612	Copper Lug Kit (9 lugs per kit)
HCL623	Compression Lug Neutral Barrier Kit
SSH075	0.75" Type 4/4X Hub
SSH100	1.00" Type 4/4X Hub
SSH125	1.25" Type 4/4X Hub

Replacement Parts

Catalog Number	Description
HFB22	Fusible 240 Volt Line Side Replacement Base (HF222S, HF322S)
HBB22	Fusible 240 Volt Load Side Replacement Base (HF222S, HF322S)
HFB62	Fusible 600 Volt Line Side Replacement Base (HF262S, HF362S)
HBB62	Fusible 600 Volt Load Side Replacement Base (HF262S, HF362S)
HNB623	Non-Fusible 600 Volt Replacement Base (HNF262S, HNF362S)
HH6123S	Replacement Handle/Handle Guard
HL612	Replacement Lugs (3 lugs per kit)
HM6123S	Replacement Mechanism
⑥	Replacement Door

① Dual horsepower ratings:

Std - applies when non-time delay fuses are installed.
Max - applies when time-delay fuses are installed.

② Horsepower ratings listed also apply to Design E motors with no derating.

③ Also rated 10HP at 250V DC.

④ Also rated 20HP at 480V and 25HP at 600V, 1 phase.

⑤ Also rated 20HP on 3Ø, 240V AC systems.

⑥ Place "DOOR" at the end of the switch catalog number.

Standards and Ratings

- CSA#1079316
- Meets CSA C22.2 No.4-04 for switches
- Meets NEMA Standard KS-1 for enclosed switches
- Meets NEC wire bending space requirements
- Rated 10,000 AIC with Class H fuses or 200,000 AIC with Class R and J fuses
- Rated 100,000 AIC at 600Vdc with Class R or J fuses
- I²t rated (Amps² x Seconds = 200,000)
- 12X overload current rating exceeds standard 10X industry standard
- Suitable for use as service entrance equipment

Features

- Quick-make and break switching action
- Double break visible blade design
- Highly visible ON/OFF indication
- Rugged installer friendly enclosure design
- Modular design allows quick and easy replacement of parts
- Front removable lugs which can easily be converted to copper body or compression type lugs
- Defeatable dual cover interlock

Mechanical Lug Wire Ranges (60/75°C, Cu/Al)

Description	Wire Range
Line, Load Neutral	#12-2 AWG (Al) or #14-2 AWG (Cu)
Ground	#14-4 AWG

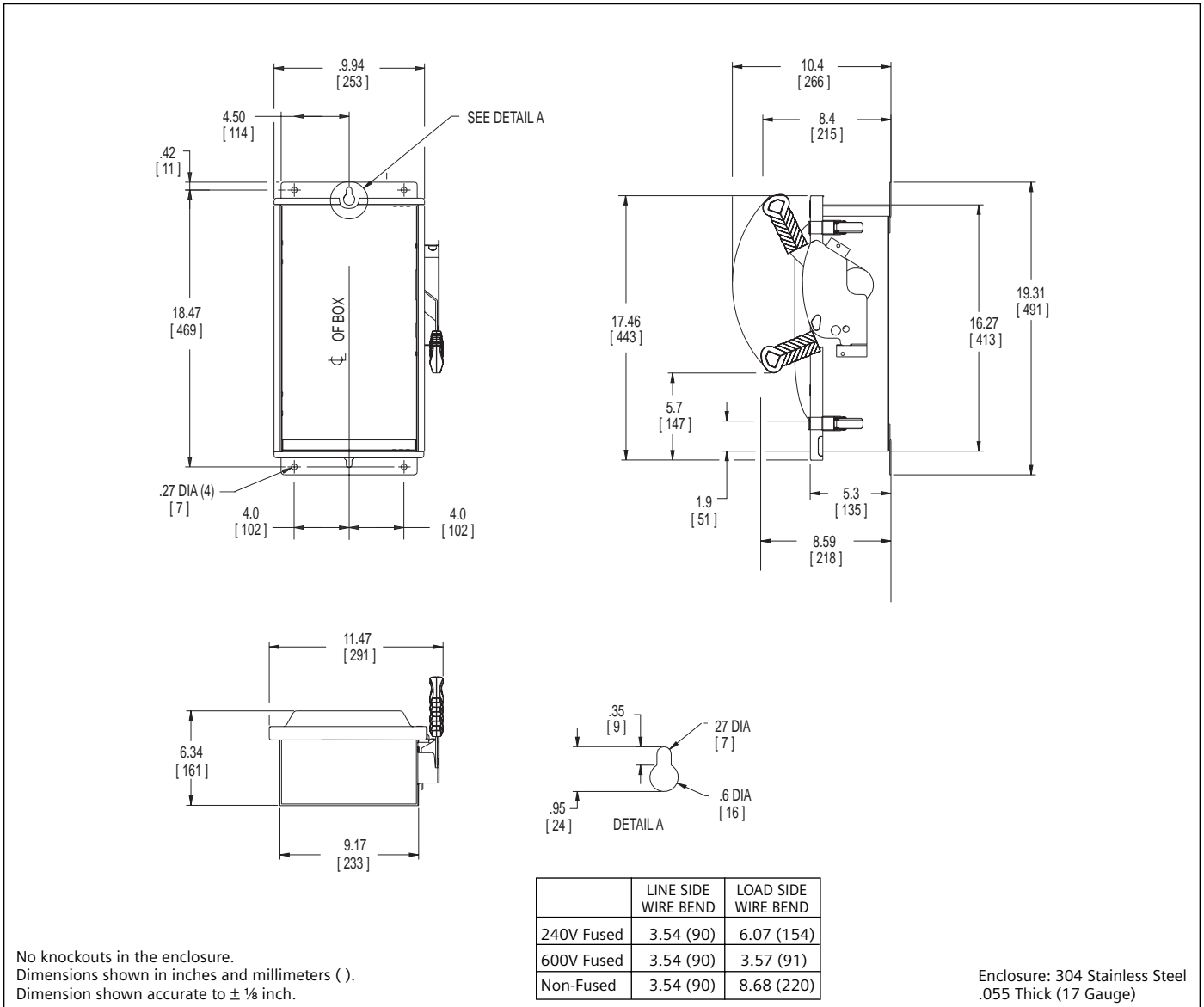
SIEMENS

Product Specification Sheet #HD60.4 (page 2)

Compression Lugs ①

Wire Size	Burndy		Thomas-Betts		IlSCO	
	CU ONLY	CU/AL	CU ONLY	CU/AL	CU ONLY	CU/AL
#14-10			256-30695-1352	60097		
#8	YA8C-L1 BOX YA8C-TC14	YA8CA3	54130 54930BE	60102 61102		ACL-8
#6	YA6C-L BOX YA6C	YA6CA1	54105 54905BE	60107 61107	CRB-6 CRB-6L	ACL-6
#4			54106	61112	CRB-4	

Dimension Drawing



① If compression lugs are used for the neutral, order compression lug neutral barrier kit HCL623.

Siemens Canada Ltd.
 Automation & Drives
 1550 Appleby Line
 Burlington, Ontario L7L 6X7

www.siemens.ca

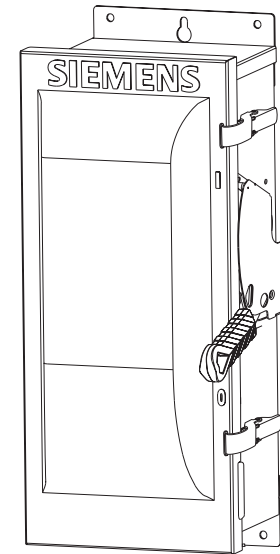
©Siemens Canada Ltd.
 Siemens is a registered trademark of Siemens AG
 Specifications are subject to change without notice.

Product Specification Sheet #HD100.4.1

Heavy Duty Safety Switch

Type VBII

100 Amp, Type 4/4X (Stainless Steel)



General Information

Catalog Number	Volts	Description	Weight (lbs.)
HFC323S	240	3 Pole, 3 Wire, Fusible	25
HFC263S	600	2 Pole, 2 Wire, Fusible	27
HFC363S	600	3 Pole, 3 Wire, Fusible	25
HNFC263S	600	2 Pole, 2 Wire, Non-Fusible	25
HNFC363S	600	3 Pole, 3 Wire, Non-Fusible	24

Horsepower Ratings ①② - 240 Volts

Catalog Number	Std	Max	Std	Max	DC
HFC323S	7½	15	15	30	20

Horsepower Ratings ①②③ - 600 Volts

Catalog Number	3 Phase, 480V AC		3 Phase, 600V AC		600V DC
	Std	Max	Std	Max	
HFC263S	—	—④	—	—④	50
HFC363S	25	60	30	75	25
HNFC263S	—	—④	—	—④	50
HNFC363S ⑤	—	75	—	100	25

Accessories

Catalog Number	Description
HA161234	One Normally Open and Closed Auxiliary Switches
HA261234	Two Normally Open and Closed Auxiliary Switches
HA361234	Low Voltage Auxiliary Switch
HG61234	Equipment Ground Lug Kit
HG261234	Isolated Equipment Ground Lug Kit
HP63	Fuse Puller (3 per kit) (HF223S, HF263S, HF323S, HF363S)
HNC623, HNC263	Neutral Kit, 200% Neutral Kit
HR63	Class R Fuse Clip Kit (3 fuse clips per kit) (HF223S, HF263S, HF323S, HF363S)
HT23	240 Volt Class T Fuse Clip Kit (1-Pole per kit) (HF223S, HF323S)
HT63	600 Volt Class T Fuse Clip Kit (1-Pole per kit) (HF263S, HF363S)
HLC63	Copper Lug Kit (9 lugs per kit)
HCL623	Compression Lug Neutral Barrier Kit
SSH125	1.25" Type 4/4X Hub
SSH150	1.50" Type 4/4X Hub
SSH200	2.00" Type 4/4X Hub

Replacement Parts

Catalog Number	Description
HFB63	Fusible Line Side Replacement Base (HF223S, HF323S, HF263S, HF363S)
HBB63	Fusible Load Side Replacement Base (HF223S, HF323S, HF263S, HF363S)
HNB623	Non-Fusible Replacement Base (HNF263S, HNF363S)
HH6123S	Replacement Handle/Handle Guard
HL63	Replacement Lugs (3 lugs per kit)
HM6123S	Replacement Mechanism
⑥	Replacement Door

① Dual horsepower ratings:

Std - applies when non-time delay fuses are installed.

Max - applies when time-delay fuses are installed.

② Horsepower ratings listed also apply to Design E motors with no derating.

③ Also rated 20HP at 250V DC.

④ Also rated 30HP at 480V and 40HP at 600V, 1 phase.

⑤ Also rated 40HP on 3phase, 240V AC systems.

⑥ Place "DOOR" at the end of the switch catalog number.

Standards and Ratings

- CSA1079316
- Meets CSA C22.2 No.4-04 for switches
- Meets NEMA Standard KS-1 for enclosed switches
- Meets NEC wire bending space requirements
- Rated 10,000 AIC with Class H fuses or 200,000 AIC with Class R, T and J fuses
- Rated 100,000 AIC at 600Vdc with Class R or J fuses
- I²t rated (Amps² x Seconds = 500,000)
- 12X overload current rating exceeds standard 10X industry standard
- Suitable for use as service entrance equipment

Features

- Quick-make and break switching action
- Double break visible blade design
- Highly visible ON/OFF indication
- Rugged installer friendly enclosure design
- Modular design allows quick and easy replacement of parts
- Front removable lugs which can easily be converted to copper body or compression type lugs
- Defeatable dual cover interlock

Mechanical Lug Wire Ranges (60/75°C, Cu/Al)

Description	Wire Range
Line, Load Neutral	#12-1/0 (Al) AWG or #14-1/0 (Cu) AWG
Ground	#14-4 AWG

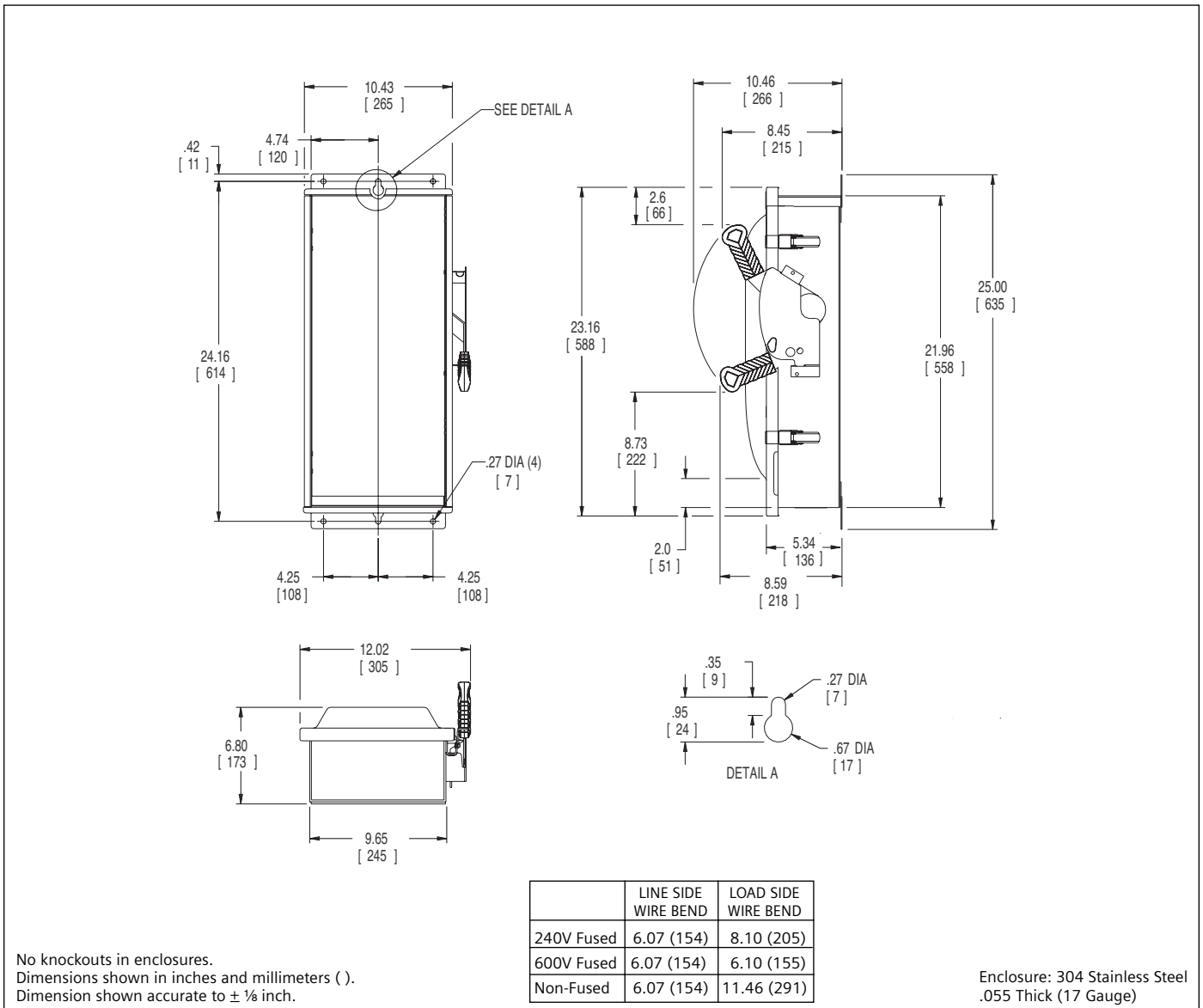
SIEMENS

Product Specification Sheet #HD100.4 (page 2)

Compression Lugs ①

Wire Size	Burndy		Thomas-Betts		IlSCO	
	CU ONLY	CU/AL	CU ONLY	CU/AL	CU ONLY	CU/AL
#6	YA6C-L BOX YA6C	YA6CA1	54105 54905BE	61107 60107	CRB-6 CRB-6L	ACL-6
#4	YA4C-L BOX YA4C	YA4CA1	54106 54906BE	61112 60112	CRB-4 CRB-4L	ACL-4
#2	YA2C-L2 BOX YA2C	YA2CA5	54107	61116	CRB-2 CRB-2L	ACL-2
#1	YA1C-L2 YA1C		54108 54947BE	61122	CRB-1-14 CRA-1L	
1/0				61130		

Dimension Drawing



① If compression lugs are used for the neutral, order compression lug neutral barrier kit HCL623.

Siemens Canada.
Automation & Drives
1550 Appleby Line
Burlington, Ontario L7L 6X7

www.siemens.ca

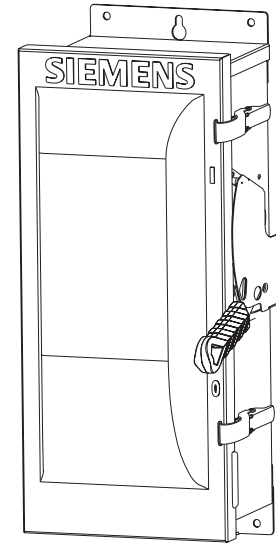
©Siemens Canada Ltd.
Siemens is a registered trademark of Siemens AG
Specifications are subject to change without notice.

Product Specification Sheet #HD200.4.1

Heavy Duty Safety Switch

Type VBII

200 Amp, Type 4/4X (Stainless Steel)



General Information

Catalog Number	Volts	Description	Shipping Weight (lbs.)
HFC224S	240	2 Pole, 2 Wire, Fusible	48
HFC324S	240	3 Pole, 3 Wire, Fusible	49
HFC364S	600	3 Pole, 3 Wire, Fusible	49
HNFC364S	600	3 Pole, 3 Wire, Non-Fusible	47

Horsepower Ratings ①② - 240 Volts

Catalog Number	1 Phase, 240V AC		3 Phase, 240V AC		250V DC
	Std	Max	Std	Max	
HFC224S	15	—	25	60	40
HFC324S	15	—	25	60	40

Horsepower Ratings ①② - 600 Volts

Catalog Number	3 Phase, 480V AC		3 Phase, 600V AC		600V DC
	Std	Max	Std	Max	
HFC364S	50	125	60	150	50
HNFC364S ③	—	125	—	150	50

Accessories

Catalog Number	Description
HA161234	One Normally Open and Closed Auxiliary Switches
HA261234	Two Normally Open and Closed Auxiliary Switches
HA361234	Low Voltage Auxiliary Switch
HG61234	Equipment Ground Lug Kit
HG261234	Isolated Equipment Ground Lug Kit
HNC64	Neutral Kit
HNC264	200% Neutral Kit
HT24	240 Volt Class T Fuse Clip Kit (1-Pole per kit) (HF224S, HF324S)
HT64	600 Volt Class T Fuse Clip Kit (1-Pole per kit) (HF364S)
HR64	Class R Fuse Clip Kit (1 pole per kit) (HF224S, HF324S, HF364S)
HLC64	Copper Lug Kit (9 lugs per kit)
SSH150	1.50" Type 4/4X Hub
SSH200	2.00" Type 4/4X Hub

Replacement Parts

Catalog Number	Description
HFB64	Fusible Line Side Replacement Base (HF224S, HF324S, HF364S)
HBB64	Fusible Load Side Replacement Base (HF224S, HF324S, HF364S)
HNB64	Non-Fusible Replacement Base (HNF364S)
HH64S	Replacement Handle/Handle Guard
HL64	Replacement Lugs (3 lugs per kit)
HM64S	Replacement Mechanism
④	Replacement Door

① Dual horsepower ratings:

Std - applies when non-time delay fuses are installed.

Max - applies when time-delay fuses are installed.

② Horsepower ratings listed also apply to Design E motors with no derating.

③ Also rated 60 HP on 3 phase, 240V AC systems.

④ Place "DOOR" at the end of the switch catalog number.

Standards and Ratings

- CSA#1079316
- Meets CSA C22.2 No.4-04 for switches
- Meets NEMA Standard KS-1 for enclosed switches
- Meets NEC wire bending space requirements
- Rated 10,000 AIC with Class H fuses or 200,000 AIC with Class R, T and J fuses
- Rated 100,000 AIC at 600Vdc with Class R or J fuses
- I²t rated (Amps² x Seconds = 2,000,000)
- 12X overload current rating exceeds standard 10X industry standard
- Suitable for use as service entrance equipment

Features

- Quick-make and break switching action
- Double break visible blade design
- Highly visible ON/OFF indication
- Rugged installer friendly enclosure design
- Modular design allows quick and easy replacement of parts
- Front removable lugs which can easily be converted to copper body or compression type lugs
- Defeatable dual cover interlock

Mechanical Lug Wire Ranges (75°C, Cu/Al)

Description	Wire Range
Line, Load Neutral	#6 AWG - 250 Kcmil
200% and Standard Neutral Ground	#14-1/0AWG
Ground Lug Kit	#14-4 AWG
200% Neutral	(2) #6 AWG - 300 kcmil

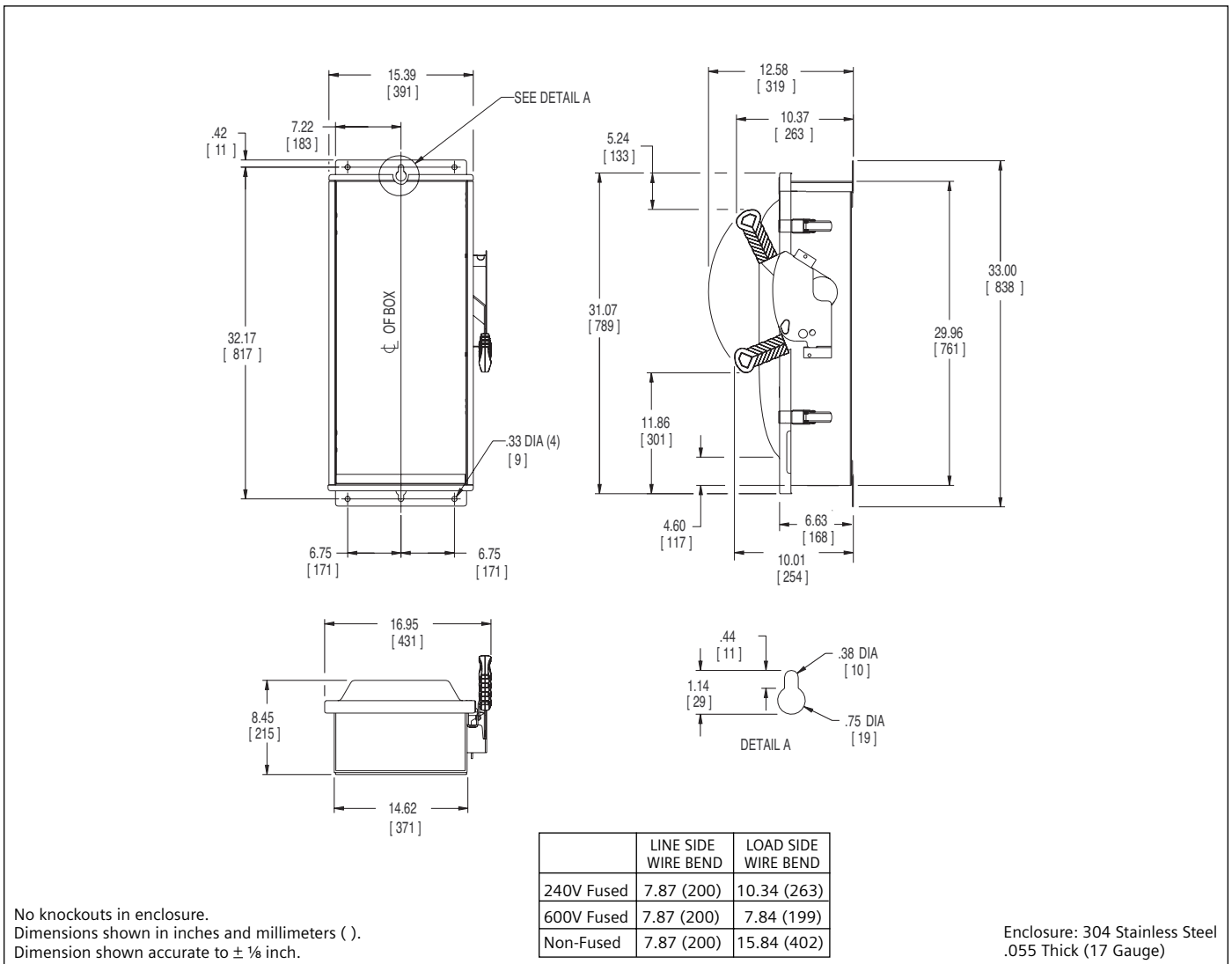
SIEMENS

Product Specification Sheet #HD200.4 (page 2)

Compression Lugs

Wire Size	Burndy		Thomas-Betts		IIsco	
	CU ONLY	CU/AL	CU ONLY	CU/AL	CU ONLY	CU/AL
#2	YA2C-L Box YA2C	YA2CA1	54142-TB	60117	CRB-2 CRB-2L	IACL-2 ACN-2
#1	YA1C-L Box YA1C	YA1CA1	54147 54947BE	60123	CRA-1-38 CRA-1L	ACN-1
1/0	YA25-L Box YA25	YA25A1	54153-TB 54949BE	60129 61130	CRA-0 CRA-1/0L	IACL-1/0 ACN-1/0
2/0	YA26-L3 YA26	YA26A6	54158 256-30695-1229 54910BE	60135 61136	CRA-2/0 CRA-2/0L	ACL-2/0 IACL-2/0
3/0	YA27-L3 YA27	YA27A1	54163-TB	60141 61142	CRC-3/0 CRB-3/0L	IACL-3/0 ACL-3/0
4/0	YA28-L3 YA28-TC38	YA28A1	54168 256-30695-1253	61148 60147	CRC-4/0 CRB-4/0L	IACL-4/0 ACL-4/0
250 Kcmil	YA29-L7		54173 54913BE	61156	CRA-250 CRA-250L	IACL-250
300 Kcmil				61162		

Dimension Drawing



Siemens Canada Ltd.
 Automation & Drives
 1550 Appleby Line
 Burlington, Ontario L7L 6X7

www.siemens.ca

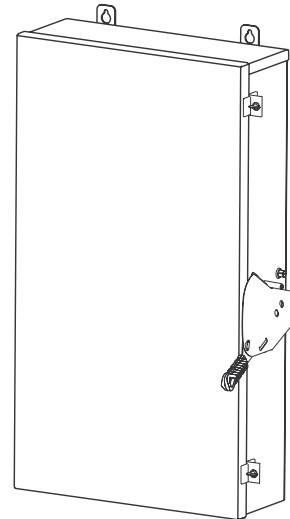
©Siemens Canada Ltd.
 Siemens is a registered trademark of Siemens AG
 Specifications are subject to change without notice.

Product Specification Sheet #HD400.8.1

Heavy Duty Safety Switch

Type VBII

400 Amp, Type 4/4X (Stainless Steel)



General Information

Catalog Number	Volts	Description	Shipping Weight (lbs.)
HNFC265S	600	2 Pole, 2 Wire, Non-Fusible	113
HNFC365S	600	3 Pole, 3 Wire, Non-Fusible	118

Horsepower Ratings ① ② ③ - 600 Volts

Catalog Number	3 Phase, 480V AC		3 Phase, 600V AC		600V DC
	Std	Max	Std	Max	
HNFC265S	—	—	—	—	50
HNFC365S ④	—	250	—	350	—

Accessories

Catalog Number	Description
HA165678	One Normally Open and Closed Auxiliary Switches
HA265678	Two Normally Open and Closed Auxiliary Switches
HA365678	Low Voltage Auxiliary Switch
HG656	Equipment Ground Lug Kit
HG2656	Isolated Equipment Ground Lug Kit
HNC656	Standard and 200% Neutral Kit
HLC65678	Copper Lug Kit (1 lug per kit)
HCL65	Compression Lug Mounting Kit (1 kit/pole required allows (1) lug/Ø)

Replacement Parts

Catalog Number	Description
HNB656 ⑤ ⑥	Non-Fusible Replacement Base
HH65678S	Replacement Handle/Handle Guard
HL65678 ⑥	Replacement Lug (1 lug per kit)
HM65	Replacement Mechanism
⑦	Replacement Door

Mechanical Lug Wire Ranges (60/75°C, Cu/Al)

Line, Load	or
Standard and 200% Neutral Ground	(2) 1/0 AWG - 250 Kcmil
Standard and 200% Neutral	(2) #6 AWG - 250 Kcmil
Standard and 200% Neutral	(2) #1/0 AWG - 750 Kcmil

- ① Dual horsepower ratings:
Std - applies when non-time delay fuses are installed.
Max - applies when time-delay fuses are installed.
- ② Also rated 125HP on 3Ø, 240V AC systems.
- ③ Horsepower ratings listed also apply to Design E motors with no derating.
- ④ Rated 50HP on 250V DC systems.
- ⑤ Replacement Base contains one pole.
- ⑥ Lugs are not provided on the Replacement Base Assembly. Order Lug Kit.
- ⑦ Place "DOOR" at the end of the switch catalog number.

Standards and Ratings

- CSA#1079316
- Meets CSA C22.2 No.4-04 for switches
- Meets NEMA Standard KS-1 for enclosed switches
- Meets NEC wire bending space requirements
- Rated 10,000 AIC as standard or 200,000 AIC when protected by Class R, T or J fuses rated 400 amp maximum
- 12X overload current rating exceeds standard 10X industry standard
- Suitable for use as service entrance equipment

Features

- Quick-make and break switching action
- Visible blade design
- Highly visible ON/OFF indication
- Modular design allows quick and easy replacement of parts
- Front removable lugs which can easily be converted to copper body or compression type lugs
- Defeatable dual cover interlock

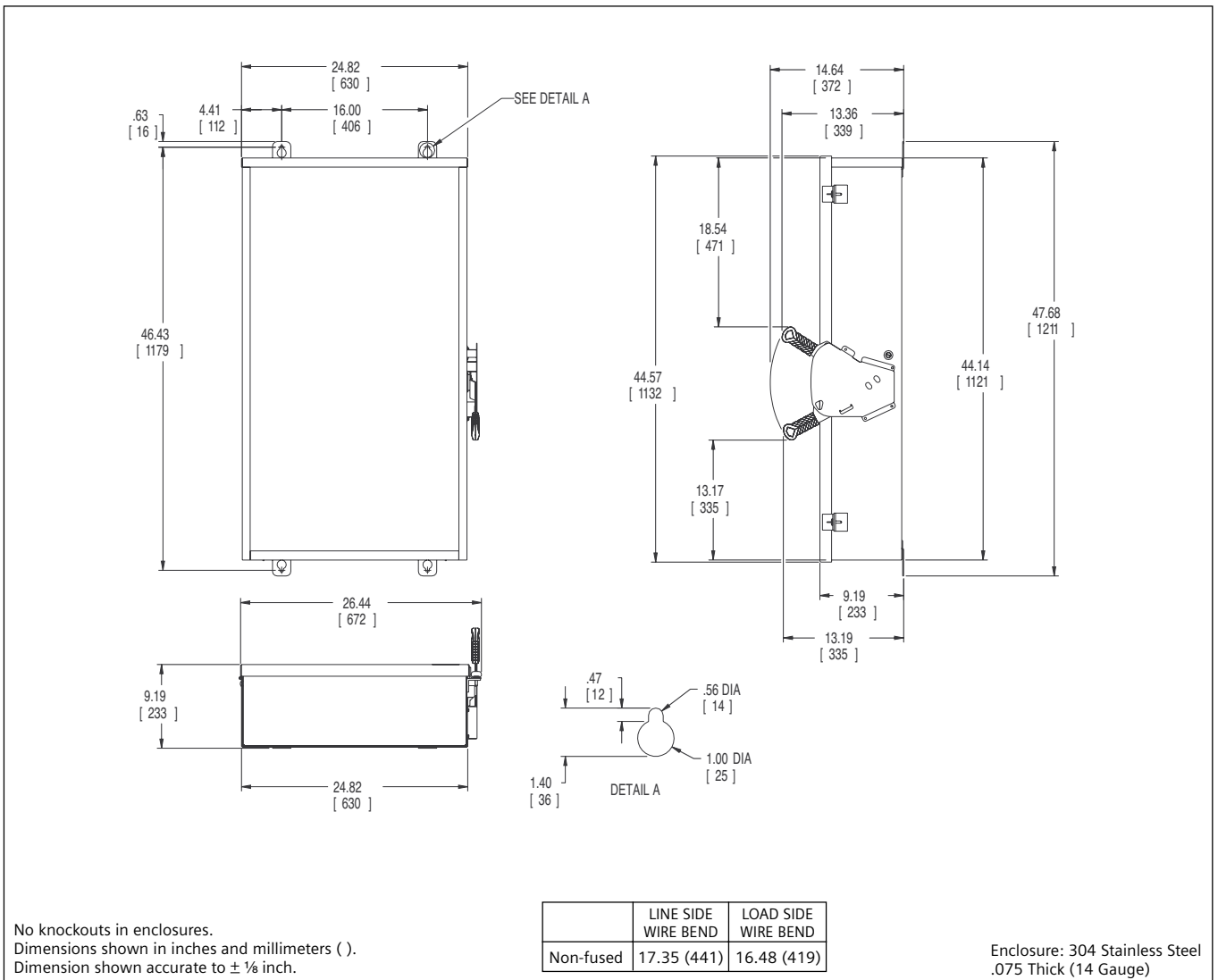
SIEMENS

Product Specification Sheet #HD400.8 (page 2)

Compression Lugs ①

Wire Size	Burndy		Thomas-Betts		IlSCO	
	CU ONLY	CU/AL	CU ONLY	CU/AL	CU ONLY	CU/AL
2/0	YA26-N	YA26-A1	54160 54951BE			IACL-2/0 ACN-2/0
3/0	YA27-L Box YA27	YA27A3	54165-TB 54965BE		CRB-3/0 CRB-3/OL	IACL-3/0 ACN-3/0
4/0	YA28-L Box YA28	YA28A3	54170 54970BE	60150	CRB-4/0 CRB-4/OL	IACL-4/0 ACN-4/0
250 Kcmil	YA29-L Box YA29	YA29A1	54113 54913BE	61156 60156	CRA-250 CRA-250L	IACL-250 ACL-250
300 Kcmil	YA30-L YA30	YA30A1	54114 54914BE	61162 60162	CRA-300 CRA-300L	IACL-300 ACL-300
350 Kcmil	YA31-L YA31	YA31A1	54915BE	61165 60165	CRA-350 CRA-350L	IACL-350 ACL-350
400 Kcmil	YA32-N		54116 54916BE			
500 Kcmil	YA34-L6 YA34-N			61171		IACL-500

Dimension Drawing



① If compression lugs are used, order compression lug mounting kit HCL65.

Siemens Canada Ltd.
Automation & Drives
1550 Appleby Line
Burlington, Ontario L7L 6X7

www.siemens.ca

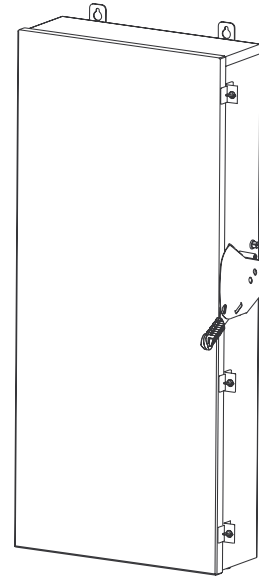
©Siemens Canada Ltd.
Siemens is a registered trademark of Siemens AG
Specifications are subject to change without notice.

Product Specification Sheet #HD600.7.1

Heavy Duty Safety Switch

Type VBII

600 Amp, Type 4/4X (Stainless Steel)



General Information

Catalog Number	Volts	Description	Shipping Weight (lbs.)
HFC326S	240	3 Pole, 3 Wire, Fusible	161
HFC266S	600	2 Pole, 2 Wire, Fusible	156
HFC366S	600	3 Pole, 3 Wire, Fusible	161

Horsepower Ratings ① ② - 240 Volts

Catalog Number	1 Phase, 240V AC		3 Phase, 240V AC		250V DC
	Std	Max	Std	Max	
HFC326S	15	15	75	200	50

Horsepower Ratings ① ② - 600 Volts

Catalog Number	3 Phase, 480V AC		3 Phase, 600V AC		600V DC
	Std	Max	Std	Max	
HFC266S	—	—	—	—	50
HFC366S ③	150	400	200	500	—

Accessories

Catalog Number	Description
HA165678	One Normally Open and Closed Auxiliary Switches
HA265678	Two Normally Open and Closed Auxiliary Switches
HA365678	Low Voltage Auxiliary Switch
HG656	Equipment Ground Lug Kit
HG2656	Isolated Equipment Ground Lug Kit
HNC656	Neutral Kit
HNC678	200% Neutral Kit
HR656	Class R Fuse Clip Kit (3 fuse clips per kit)
HLC65678	Copper Lug Kit (1 lug per kit)
HCL65678	Compression Lug Mounting Kit (1 kit/pole required allows (2) lugs/Ø)

Replacement Parts

Catalog Number	Description
HFB656 ④ ⑤	Fusible Line Side Replacement Base
HBB656 ④ ⑤	Fusible Load Side Replacement Base
HH65678S	Replacement Handle/Handle Guard
HL65678 ⑤	Replacement Lug (1 lug per kit)
HM66 ⑥	Replacement Mechanism
	Replacement Door

Mechanical Lug Wire Ranges (75°C, Cu/Al)

Line, Load Neutral	or
Ground	(4) 1/0 AWG - 250 Kcmil
200% Neutral	(2) #6 AWG - 250 Kcmil
200% Ground	(4) 1/0 AWG - 600 Kcmil
	(4) #6 AWG - 300 Kcmil

- ① Dual horsepower ratings:
Std - applies when non-time delay fuses are installed.
Max - applies when time-delay fuses are installed.
- ② Horsepower ratings listed also apply to Design E motors through 150HP at 240V, 300HP at 480V and 350HP at 600V with no derating.
- ③ Rated 50HP on 250V DC systems.
- ④ Each Line and Load Replacement Base contains one pole.
- ⑤ Lugs are not provided on Line and Load Replacement Base Assemblies.
Order Lug Kit.
- ⑥ Place "DOOR" at the end of the switch catalog number.

Standards and Ratings

- CSA#1079316
- Meets CSA C22.2 No.4-04 for switches
- Meets NEMA Standard KS-1 for enclosed switches
- Meets NEC wire bending space requirements
- Rated 10,000 AIC with Class H fuses or 200,000 AIC with Class R, J and T fuses
- Rated 100,000 AIC at 600Vdc with Class R or J fuses
- I²t rated (Amps² x Seconds = 12,000,000)
- 12X overload current rating exceeds standard 10X industry standard
- Suitable for use as service entrance equipment

Features

- Quick-make and break switching action
- Visible blade design
- Highly visible ON/OFF indication
- Modular design allows quick and easy replacement of parts
- Front removable lugs which can easily be converted to copper body or compression type lugs
- Defeatable dual cover interlock

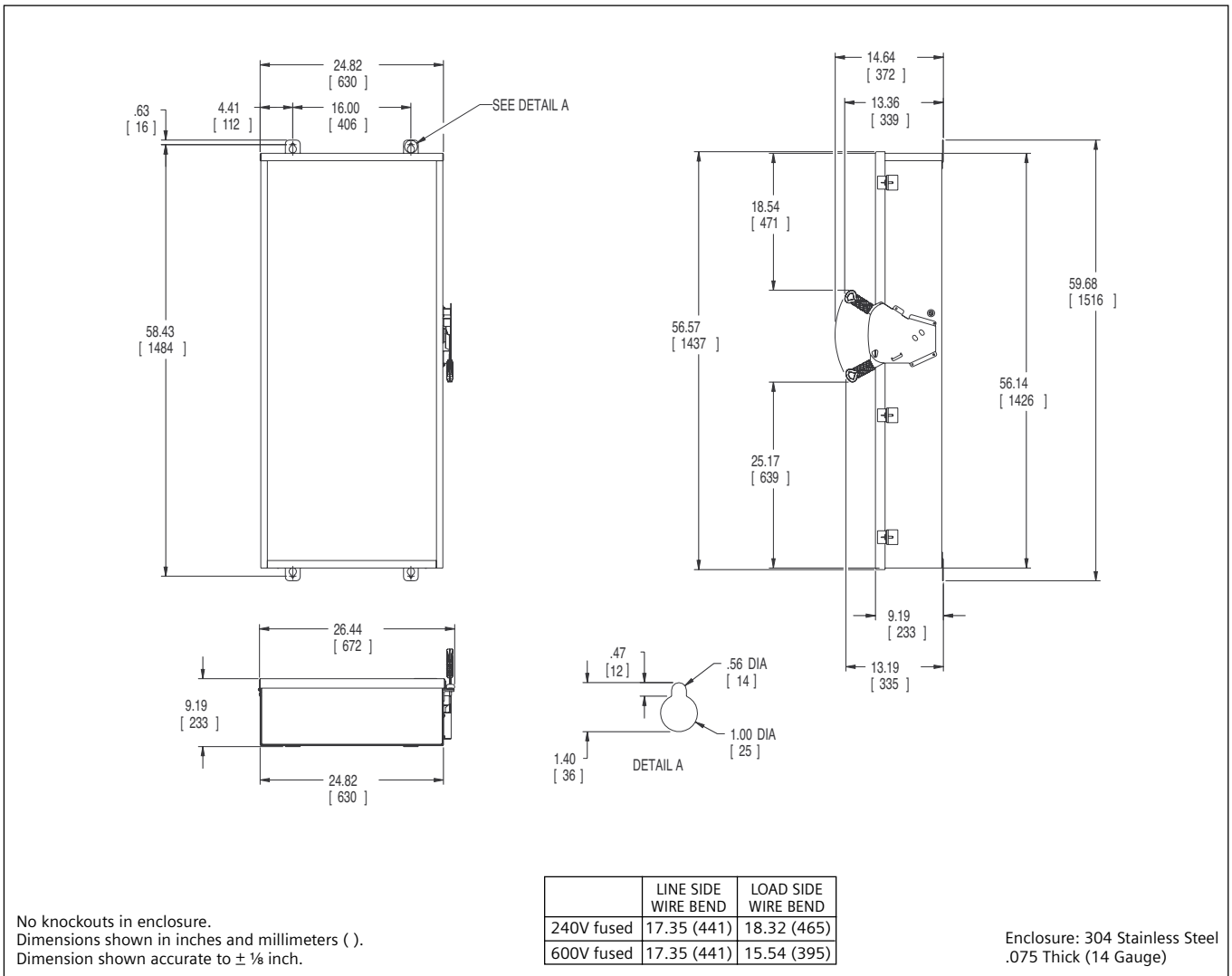
SIEMENS

Product Specification Sheet #HD600.7 (page 2)

Compression Lugs ①

Wire Size	Burndy		Thomas-Betts		IlSCO	
	CU ONLY	CU/AL	CU ONLY	CU/AL	CU ONLY	CU/AL
2/0	YA26-N	YA26-A1	54160 54951BE			IACL-2/0 ACN-2/0
3/0	YA27-L Box YA27	YA27A3	54165-TB 54965BE		CRB-3/0 CRB-3/OL	IACL-3/0 ACN-3/0
4/0	YA28-L Box YA28	YA28A3	54170 54970BE	60150	CRB-4/0 CRB-4/OL	IACL-4/0 ACN-4/0
250 Kcmil	YA29-L Box YA29	YA29A1	54113 54913BE	61156 60156	CRA-250 CRA-250L	IACL-250 ACL-250
300 Kcmil	YA30-L YA30	YA30A1	54114 54914BE	61162 60162	CRA-300 CRA-300L	IACL-300 ACL-300
350 Kcmil	YA31-L YA31	YA31A1	54915BE	61165 60165	CRA-350 CRA-350L	IACL-350 ACL-350
400 Kcmil	YA32-N		54116 54916BE			
500 Kcmil	YA34-L6 YA34-N			61171		IACL-500

Dimension Drawing



① If compression lugs are used, order compression lug mounting kit HCL65678.

Siemens Canada Ltd.
Automation & Drives
1550 Appleby Line
Burlington, Ontario L7L 6X7

www.siemens.ca

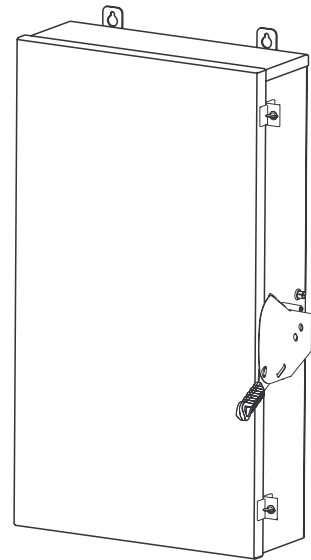
©Siemens Canada Ltd.
Siemens is a registered trademark of Siemens AG
Specifications are subject to change without notice.

Product Specification Sheet #HD600.8.1

Heavy Duty Safety Switch

Type VBII

600 Amp, Type 4/4X (Stainless Steel)



General Information

Catalog Number	Volts	Description	Shipping Weight (lbs.)
HNFC266S	600	2 Pole, 2 Wire, Non-Fusible	115
HNFC366S	600	3 Pole, 3 Wire, Non-Fusible	120

Horsepower Ratings ① ② ③ - 600 Volts

Catalog Number	3 Phase, 480V AC		3 Phase, 600V AC		600V DC
	Std	Max	Std	Max	
HNFC266S	—	—	—	—	50
HNFC366S ④	—	400	—	500	—

Accessories

Catalog Number	Description
HA165678	One Normally Open and Closed Auxiliary Switches
HA265678	Two Normally Open and Closed Auxiliary Switches
HA365678	Low Voltage Auxiliary Switch
HG656	Equipment Ground Lug Kit
HG2656	Isolated Equipment Ground Lug Kit
HNC656	Neutral Kit
HNC678	200% Neutral Kit
HLC65678	Copper Lug Kit (1 lug per kit)
HCL65678	Compression Lug Mounting Kit (1 kit/pole required allows (2) lugs/Ø)

Replacement Parts

Catalog Number	Description
HNB656 ⑤ ⑥	Non-Fusible Replacement Base
HH65678S	Replacement Handle/Handle Guard
HL65678 ⑥	Replacement Lug (1 lug per kit)
HM66	Replacement Mechanism
⑦	Replacement Door

Mechanical Lug Wire Ranges (60/75°C, Cu/Al)

Line, Load	or
Neutral	(4) 1/0 AWG - 250 Kcmil
Ground	(2) #6 AWG - 250 Kcmil
200% Neutral	(4) #1/0 AWG - 600 Kcmil
200% Ground	(4) #6 AWG - 300 Kcmil

- ① Dual horsepower ratings:
Std - applies when non-time delay fuses are installed.
Max - applies when time-delay fuses are installed.
- ② Horsepower ratings listed also apply to Design E motors through 150HP at 240V, 300HP at 480V and 350HP at 600V with no derating.
- ③ Also rated 200HP on 3 phase, 240V AC systems.
- ④ Rated 50HP on 250V DC systems.
- ⑤ Replacement Base contains one pole.
- ⑥ Lugs are not provided on the Replacement Base Assembly.
Order Lug Kit.
- ⑦ Place "DOOR" at the end of the switch catalog number.

Standards and Ratings

- CSA#1079316
- Meets CSA C22.2 No.4-04 for switches
- Meets NEMA Standard KS-1 for enclosed switches
- Meets NEC wire bending space requirements
- Rated 10,000 AIC as standard or 200,000 AIC when protected by Class R, T or J fuses rated 600 amp maximum
- 12X overload current rating exceeds standard 10X industry standard
- Suitable for use as service entrance equipment

Features

- Quick-make and break switching action
- Visible blade design
- Highly visible ON/OFF indication
- Modular design allows quick and easy replacement of parts
- Front removable lugs which can easily be converted to copper body or compression type lugs
- Defeatable dual cover interlock

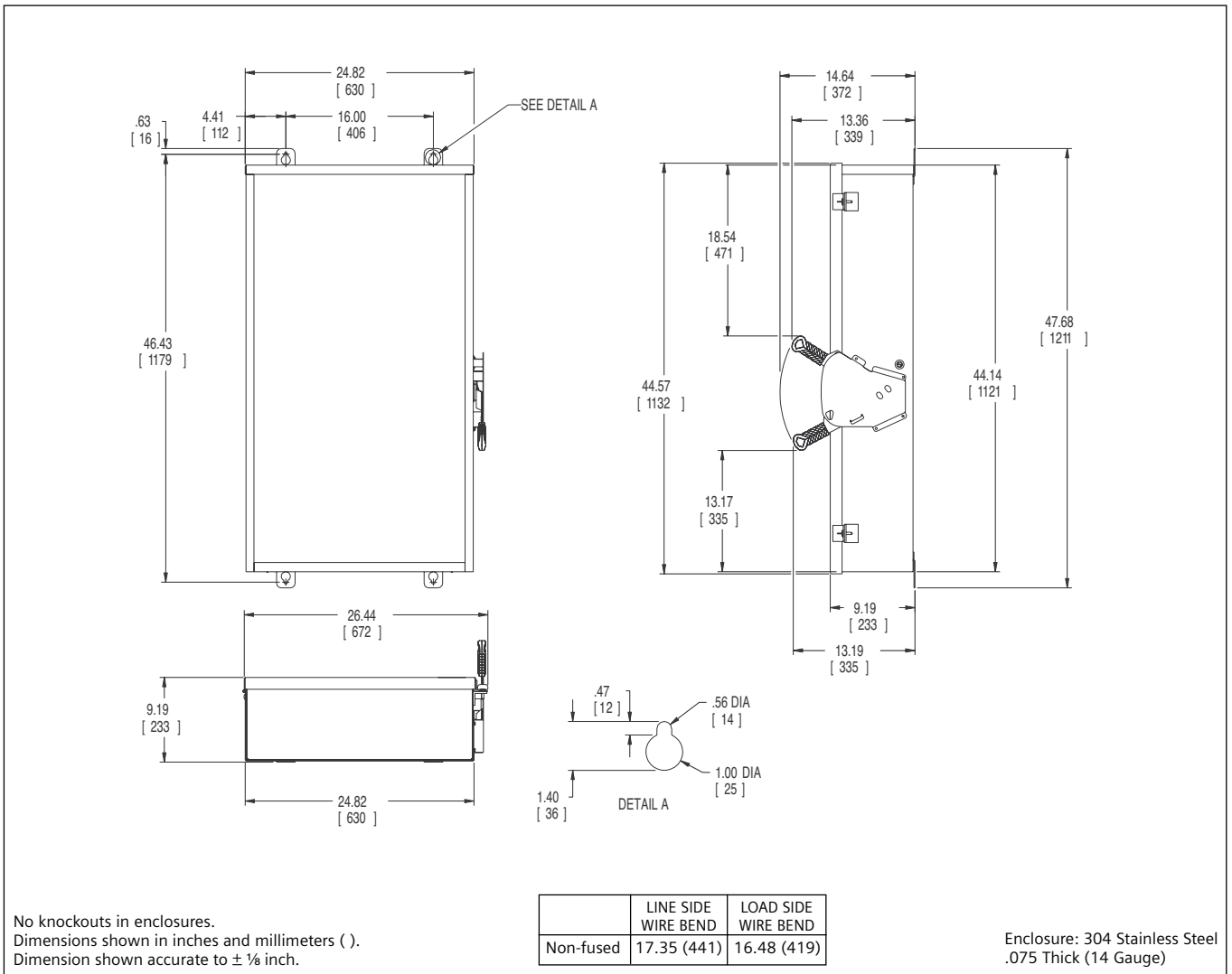
SIEMENS

Product Specification Sheet #HD600.8 (page 2)

Compression Lugs ①

Wire Size	Burndy		Thomas-Betts		Ilsco	
	CU ONLY	CU/AL	CU ONLY	CU/AL	CU ONLY	CU/AL
2/0	YA26-N	YA26-A1	54160 54951BE			IACL-2/0 ACN-2/0
3/0	YA27-L Box YA27	YA27A3	54165-TB 54965BE		CRB-3/0 CRB-3/OL	IACL-3/0 ACN-3/0
4/0	YA28-L Box YA28	YA28A3	54170 54970BE	60150	CRB-4/0 CRB-4/OL	IACL-4/0 ACN-4/0
250 Kcmil	YA29-L Box YA29	YA29A1	54113 54913BE	61156 60156	CRA-250 CRA-250L	IACL-250 ACL-250
300 Kcmil	YA30-L YA30	YA30A1	54114 54914BE	61162 60162	CRA-300 CRA-300L	IACL-300 ACL-300
350 Kcmil	YA31-L YA31	YA31A1	54915BE	61165 60165	CRA-350 CRA-350L	IACL-350 ACL-350
400 Kcmil	YA32-N		54116 54916BE			
500 Kcmil	YA34-L6 YA34-N			61171		IACL-500

Dimension Drawing



① If compression lugs are used, order compression lug mounting kit HCL65678.

SiemensCanada Ltd.
Automation & Drives
1550 Appleby Line
Burlington, Ontario L7L 6X7

www.siemens.ca

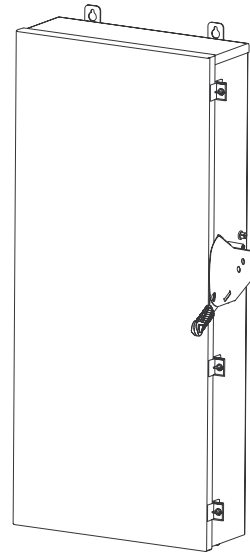
©Siemens Canada Ltd.
Siemens is a registered trademark of Siemens AG
Specifications are subject to change without notice.

Product Specification Sheet #HD800.7.1

Heavy Duty Safety Switch

Type VBII

800 and 1200 Amp, Type 4/4X (Stainless Steel)



General Information

Number	Amps	Volts	Description	Weight (lbs.)
HFC367S	800	600	3 Pole, 3 Wire, Fusible	370
HFC368S	1200	600	3 Pole, 3 Wire, Fusible	388

Horsepower Ratings ② - 240 Volts

Catalog Number	Std	Max	Std	Max	250V DC

Horsepower Ratings ② - 600 Volts

Catalog Number	3 Phase, 480V AC		3 Phase, 600V AC		600V DC
	Std	Max	Std	Max	
HFC367S	200	500	250	500	—
HFC368S					

Accessories

Catalog Number	Description
HA165678	One Normally Open and Closed Auxiliary Switches
HA265678	Two Normally Open and Closed Auxiliary Switches
HA365678	Low Voltage Auxiliary Switch
HG678	Equipment Ground Lug Kit (Factory installed)
HNC678	Neutral Kit
TFAK72	800A, 240V Class T Fuse Mounting Kit (1 per pole)
TFAK75	800A, 600V Class T Fuse Mounting Kit (1 per pole)
④	Copper Lug Kit (1 lug per kit)
⑤	Compression Lug Mounting Kit (2 kits/pole required allows (4) lugs/Ø)

Replacement Parts

Catalog Number	Description
HFB67A ③⑥	800A, Fusible Line Side Replacement Base
HBB67A ③⑥	800A, Fusible Load Side Replacement Base
HM67	800A, Replacement Mechanism
HL67 ⑧	800A, Replacement Lugs
HH65678S	800A, Replacement Handle/Handle Guard
HFB68 ③⑥	1200A, Line Side Replacement Base
HBB68 ③⑥	1200A, Load Side Replacement Base
HM678	1200A, Replacement Mechanism
HH68S	1200A, Replacement Handle/Handle Guard
⑦	Replacement Door

① This switch is suitable for use on grounded phase B systems.

② Dual horsepower ratings:

Std - applies when non-time delay fuses are installed.

Max - applies when time-delay fuses are installed.

③ Each Line and Load Replacement Base contains one pole.

④ Catalog number HLC65678 factory installed only.

⑤ Catalog number HCL65678 factory installed only.

⑥ Lugs are provided on Line and Load Replacement Base Assemblies.

⑦ Place "DOORA" at the end of the switch catalog number.

⑧ One lug required per pole for either line or load.

Standards and Ratings

- CSA#1079316
- Meets CSA C22.2 No.4-04for switches
- Meets NEMA Standard KS-1 for enclosed switches
- Meets NEC wire bending space requirements
- Rated 200,000 AIC with Class L and T fuses
- Suitable for use as service entrance equipment

Features

- Quick-make and break switching action
- Visible blade design
- Highly visible ON/OFF indication
- Modular design allows quick and easy replacement of parts
- Defeatable dual cover interlock

Mechanical Lug Wire Ranges (75°C, Cu/Al)

Line, Load (1200A)	(4) 1/0 AWG - 750 Kcmil
Neutral	(4) 1/0 AWG - 750 Kcmil
Ground	(4) #6 AWG - 250 Kcmil

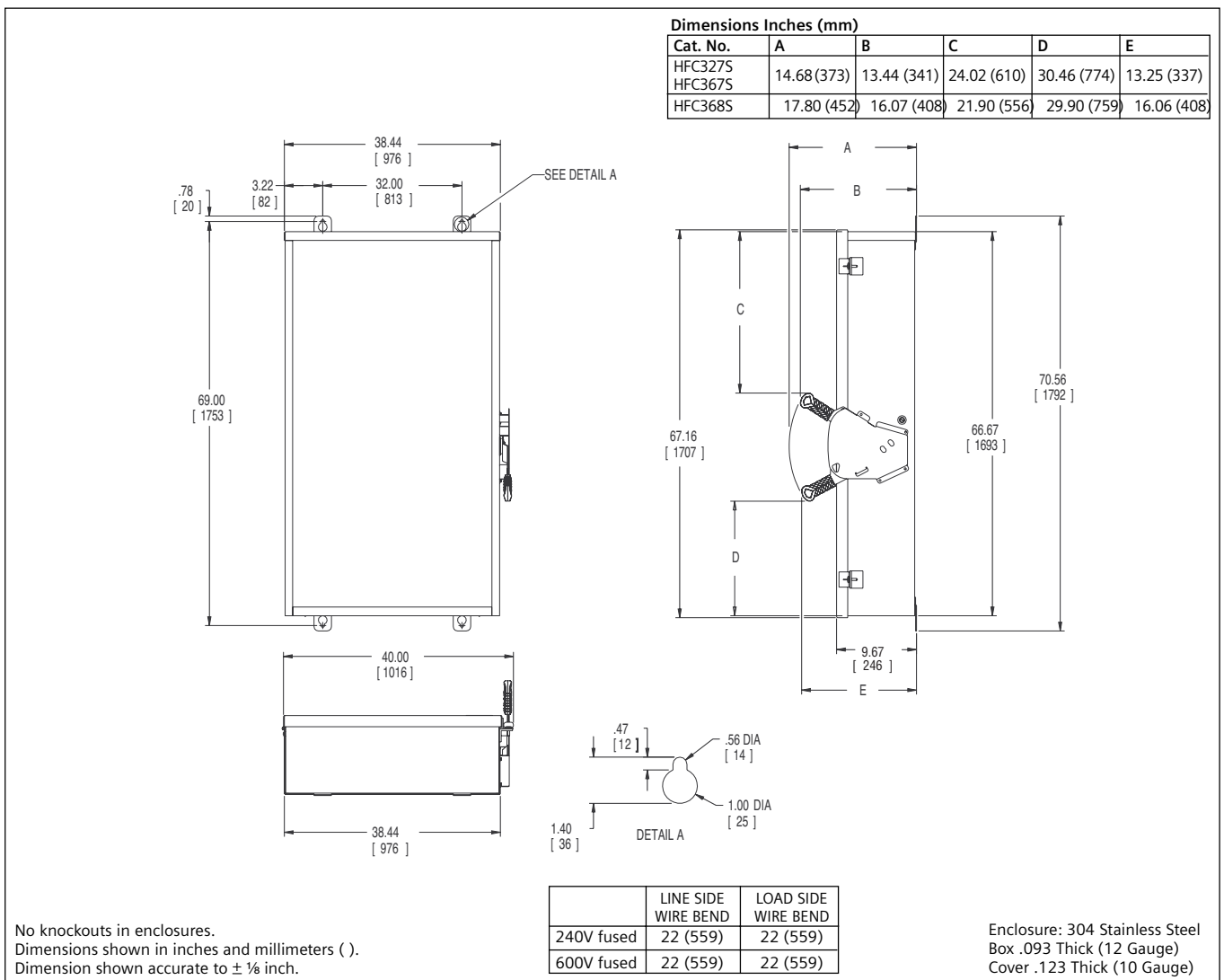
SIEMENS

Product Specification Sheet #HD800.7 (page 2)

Compression Lugs (Factory installed mounting kit HCL67T for top and HCL67B for bottom required.)

Wire Size	Burndy		Thomas-Betts		IlSCO	
	CU ONLY	CU/AL	CU ONLY	CU/AL	CU ONLY	CU/AL
2/0	YA26-N	YA26-A1	54160 54951BE			IACL-2/0 ACN-2/0
3/0	YA27-L Box YA27	YA27A3	54165-TB 54965BE		CRB-3/0 CRB-3/OL	IACL-3/0 ACN-3/0
4/0	YA28-L Box YA28	YA28A3	54170 54970BE	60150	CRB-4/0 CRB-4/OL	IACL-4/0 ACN-4/0
250 Kcmil	YA29-L Box YA29	YA29A1	54113 54913BE	61156 60156	CRA-250 CRA-250L	IACL-250 ACL-250
300 Kcmil	YA30-L YA30	YA30A1	54114 54914BE	61162 60162	CRA-300 CRA-300L	IACL-300 ACL-300
350 Kcmil	YA31-L YA31	YA31A1	54915BE	61165 60165	CRA-350 CRA-350L	IACL-350 ACL-350
400 Kcmil	YA32-N		54116 54916BE			
500 Kcmil	YA34-L6 YA34-N			61171		IACL-500

Dimension Drawing



Siemens Canada Ltd.
Automation & Drives
1550 Appleby Line
Burlington, Ontario L7L 6X7

www.siemens.ca

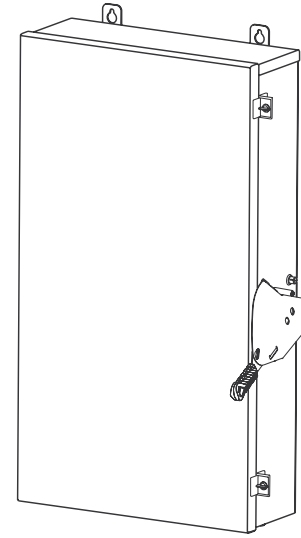
©Siemens Automation & Drives.
Siemens is a registered trademark of Siemens AG.
Specifications are subject to change without notice.

Product Specification Sheet #HD800.8.1

Heavy Duty Safety Switch

Type VBII

800 and 1200 Amp, Type 4/4X (Stainless Steel)



General Information

Catalog Number	Amps	Volts	Description	Shipping Weight (lbs.)
HNFC367S	800	600	3 Pole, 3 Wire, Non-Fusible	295
HNFC368S	1200	600	3 Pole, 3 Wire, Non-Fusible	310

Horsepower Ratings ① ② - 600 Volts

Catalog Number	3 Phase, 480V AC		3 Phase, 600V AC		600V DC
	Std	Max	Std	Max	
HNFC367S ③	—	500	—	500	—
HNFC368S	—	—	—	—	—

Accessories

Catalog Number	Description
HA165678	One Normally Open and Closed Auxiliary Switches
HA265678	Two Normally Open and Closed Auxiliary Switches
HA365678	Low Voltage Auxiliary Switch
HG678	Equipment Ground Lug Kit (Factory installed)
HNC678	Neutral Kit
④	Copper Lug Kit (1 lug per kit)
⑤	Compression Lug Mounting Kit (2 kits/pole required allows (4) lugs/Ø)

Replacement Parts

Catalog Number	Description
HNB67A ③ ⑥	800A, Non-Fusible Replacement Base
HM67	800A, Replacement Mechanism
HL67 ⑧	800A, Replacement Lugs
HH65678S	800A, Replacement Handle/Handle Guard
HNB678 ③ ⑥	1200A, Non-Fusible Replacement Base
HM678	1200A, Replacement Mechanism
HH68S	1200A, Replacement Handle/Handle Guard
⑦	Replacement Door

Mechanical Lug Wire Ranges (75°C, Cu/Al)

Line, Load (1200A)	(4) 1/0 AW - 750 Kcmil
Neutral	(4) 1/0 AWG - 750 Kcmil
Ground	(4) #6 AWG - 250 Kcmil

① Dual horsepower ratings:

Std - applies when non-time delay fuses are installed.
Max - applies when time-delay fuses are installed.

② Also rated 250 HP on 3 phase, 240V AC systems.

③ Replacement Base contains one pole.

④ Catalog number HLC65678 factory installed only.

⑤ Catalog number HCL65678 factory installed only.

⑥ Lugs are provided on the Replacement Base Assembly.

⑦ Place "DOORA" at the end of the switch catalog number.

⑧ One lug required per pole for either line or load.

Standards and Ratings

- CSA#1079316
- Meets CSA C22.2 No.4-04 for switches
- Meets NEMA Standard KS-1 for enclosed switches
- Meets NEC wire bending space requirements
- Rated 10,000 AIC as standard or 200,000 AIC when protected with Class L or T fuses
- Suitable for use as service entrance equipment

Features

- Quick-make and break switching action
- Visible blade design
- Highly visible ON/OFF indication
- Modular design allows quick and easy replacement of parts
- Defeatable dual cover interlock

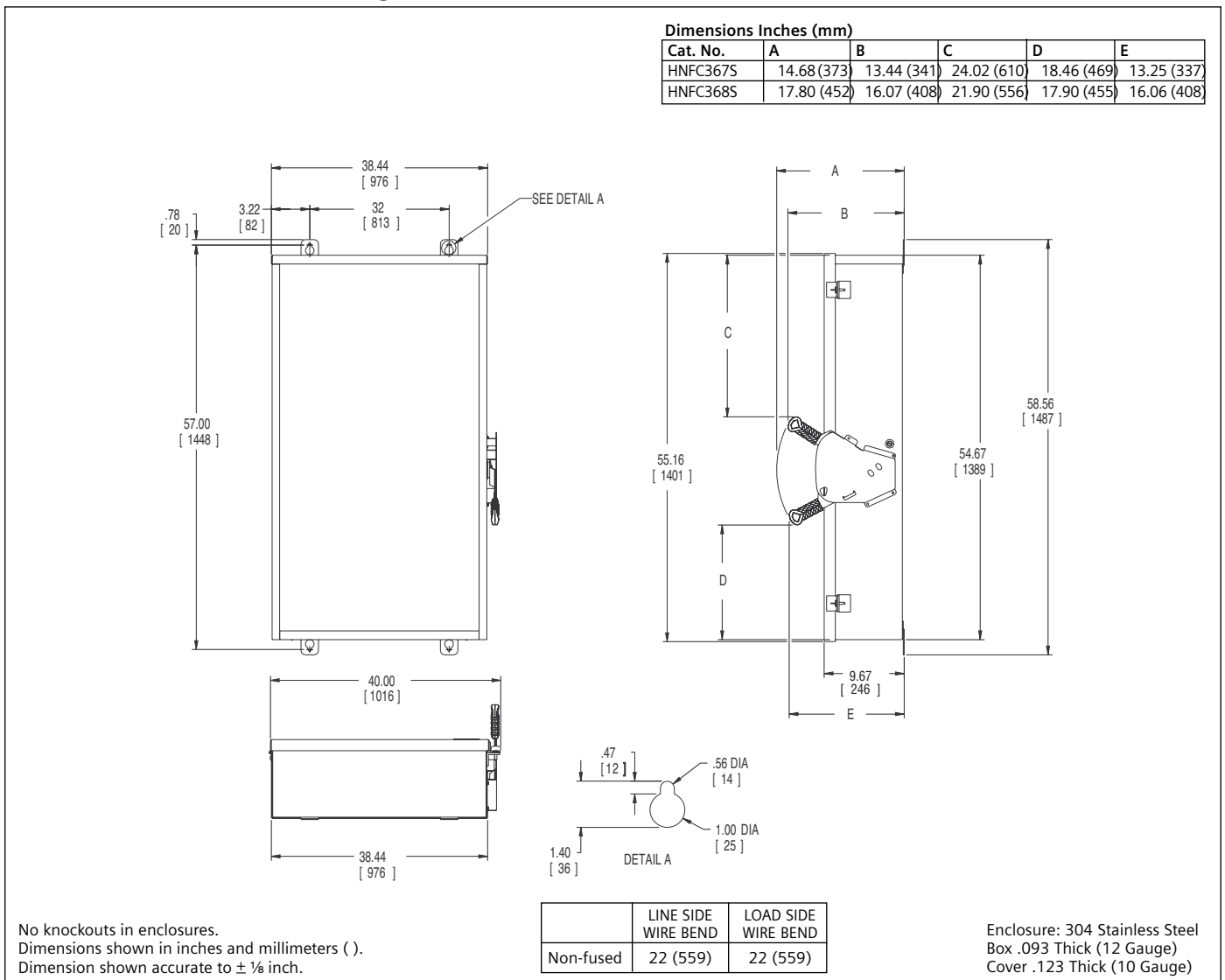
SIEMENS

Product Specification Sheet #HD800.8 (page 2)

Compression Lugs (Factory installed mounting kit HCL67T for top and HCL67B for bottom required.)

Wire Size	Burndy		Thomas-Betts		Ilco	
	CU ONLY	CU/AL	CU ONLY	CU/AL	CU ONLY	CU/AL
2/0	YA26-N	YA26-A1	54160 54951BE			IACL-2/0 ACN-2/0
3/0	YA27-L Box YA27	YA27A3	54165-TB 54965BE		CRB-3/0 CRB-3/0L	IACL-3/0 ACN-3/0
4/0	YA28-L Box YA28	YA28A3	54170 54970BE	60150	CRB-4/0 CRB-4/0L	IACL-4/0 ACN-4/0
250 Kcmil	YA29-L Box YA29	YA29A1	54113 54913BE	61156 60156	CRA-250 CRA-250L	IACL-250 ACL-250
300 Kcmil	YA30-L YA30	YA30A1	54114 54914BE	61162 60162	CRA-300 CRA-300L	IACL-300 ACL-300
350 Kcmil	YA31-L YA31	YA31A1	54915BE	61165 60165	CRA-350 CRA-350L	IACL-350 ACL-350
400 Kcmil	YA32-N		54116 54916BE			
500 Kcmil	YA34-L6 YA34-N			61171		IACL-500

Dimension Drawing



Siemens Canada Ltd.
Automation & Drives
1550 Appleby Line
Burlington, Ontario L7L 6X7

www.siemens.ca

©Siemens Canada Ltd.
Siemens is a registered trademark of Siemens AG
Specifications are subject to change without notice.