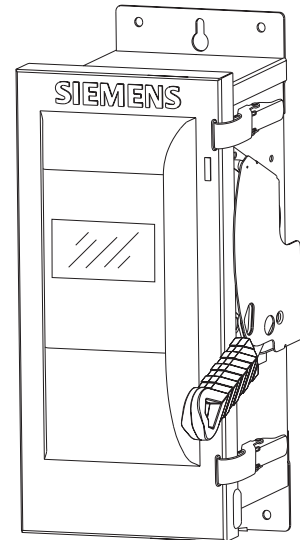


Product Specification Sheet #HD30.9.1

Heavy Duty Safety Switch with Viewing Window

Type VBII

30 Amp, Type 12 Industrial & Type 4/4X Stainless Steel



General Information

Catalog Number	Volts	Description	Shipping Weight (lbs.)
Type 12 Industrial ①			
HFC361JW	600	3 Pole, 3 Wire, Fusible	17
HNFC361JW	600	3 Pole, 3 Wire, Non-Fusible	14
Type 4/4X Stainless Steel			
HFC361SW	600	3 Pole, 3 Wire, Fusible	17
HNFC361SW	600	3 Pole, 3 Wire, Non-Fusible	15

Horsepower Ratings ② ③ ④ - 600 Volts

Catalog Number	3 Phase, 480V AC		3 Phase, 600V AC		250V DC
	Std	Max	Std	Max	
HFC361JW	5	15	7½	20	—
HFC361SW	5	15	7½	20	—
HNFC361JW	—	20 ⑤	—	θ	—
HNFC361SW	—	20 ⑤	—	θ	—

Accessories

Catalog Number	Description
HA161234	One Normally Open and Closed Auxiliary Switches
HA261234	Two Normally Open and Closed Auxiliary Switches
HA361234	Low Voltage Auxiliary Switch
HG61234	Equipment Ground Lug Kit (Factory installed)
HG261234	Isolated Equipment Ground Lug Kit
HP61	Fuse Puller (3 per kit)
HNC612	Neutral Kit
HR612	600 Volt Class R Fuse Clip Kit (3 fuse clips per kit)
HLC612	Copper Lug Kit (9 lugs per kit)
HCL612	Compression Lug Neutral Barrier Kit
SSH100	1.00" Type 12 and 4X Hub

Replacement Parts

Catalog Number	Description
HFB612	Fusible Line Side Replacement Base (HF361JW, HF361SW)
HBB612	Fusible Load Side Replacement Base (HF361JW, HF361SW)
HNB612	Non-Fusible Line Side Replacement Base (HNFC361JW, HNF361SW)
HH6123	Replacement Handle/Handle Guard (HH6123S for Type 4X)
HL612	Replacement Lug (3 lugs per kit)
HM6123	Replacement Mechanism (HM6123S for Type 4X)
⑥	Replacement Door

Mechanical Lug Wire Ranges (60/75°C, Cu/Al)

Description	Wire Range
Line, Load Neutral	#12-6 AWG (Al) or #14-6 AWG (Cu)
Ground	#14-4 AWG

① Also rated 3R/3S for outdoor use.

② Dual horsepower ratings:

Std - applies when non-time delay fuses are installed.

Max - applies when time-delay fuses are installed.

③ Horsepower ratings listed also apply to Design E motors with no derating

④ Also rated 5HP at 250V DC.

⑤ Also rated 10HP on 3 phase, 240V AC systems.

⑥ Place "DOOR" at the end of the switch catalog number.

Standards and Ratings

- CSA#1079316
- Meets CSA C22.2 No.4-04 for switches
- Meets NEMA Standard KS-1 for enclosed switches
- Meets NEC wire bending space requirements
- Rated 10,000 AIC with Class H fuses or 200,000 AIC with Class R and J fuses
- I²t rated (Amps² x Seconds = 50,000)
- 12X overload current rating exceeds standard 10X industry standard
- Suitable for use as service entrance equipment

Features

- Quick-make and break switching action
- Double break visible blade design
- Highly visible ON/OFF indication
- Window permits viewing of both visible blades and indicating type fuses
- Rugged installer friendly enclosure design
- Modular design allows quick and easy replacement of parts
- Front removable lugs which can easily be converted to copper body or compression type lugs
- Defeatable dual cover interlock

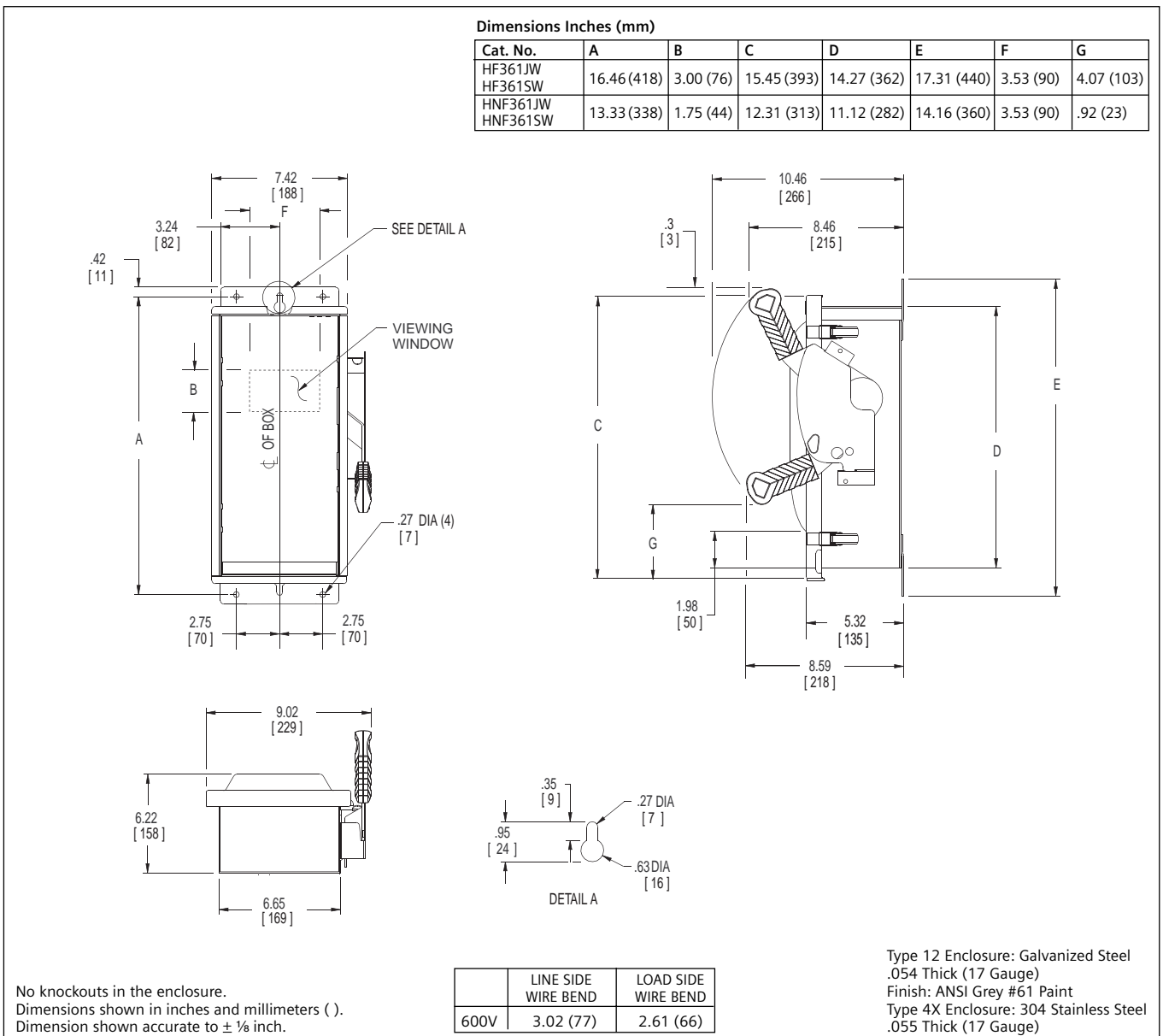
SIEMENS

Product Specification Sheet #HD30.9 (page 2)

Compression Lugs

Wire Size	Burndy		Thomas-Betts		IlSCO	
	CU ONLY	CU/AL	CU ONLY	CU/AL	CU ONLY	CU/AL
#14-10				60096 60097		
#8	YA8C-L BOX YA8C-L1 BOX		54104 54130	60101 60102 61102	CRA-8	ACL-8 ACN-8
#6				61107		

Dimension Drawing



Siemens Canada Ltd.
Automation & Drives
1550 Appleby Line
Burlington, Ontario L7L 6X7

©Siemens Canada Ltd.
Siemens is a registered trademark of Siemens AG
Specifications are subject to change without notice.

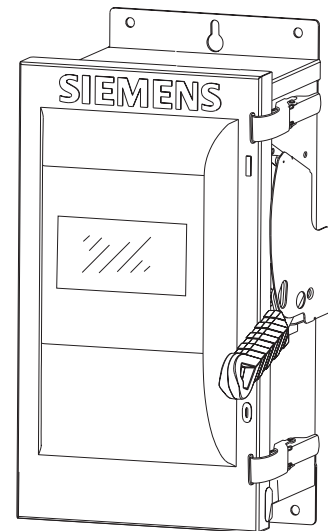
www.siemens.ca

Product Specification Sheet #HD60.5.1

Heavy Duty Safety Switch with Viewing Window

Type VBII

60 Amp, Type 12 Industrial & Type 4/4X Stainless Steel



General Information

Catalog Number	Volts	Description	Shipping Weight (lbs.)
Type 12 Industrial ①			
HFC362JW	600	3 Pole, 3 Wire, Fusible	22
HNFC362JW	600	3 Pole, 3 Wire, Non-Fusible	19
Type 4/4X Stainless Steel			
HFC362SW	600	3 Pole, 3 Wire, Fusible	23
HNFC362SW	600	3 Pole, 3 Wire, Non-Fusible	23

Horsepower Ratings ②③④ - 600 Volts

Catalog Number	3 Phase, 480V AC		3 Phase, 600V AC		250V DC
	Std	Max	Std	Max	
HFC362JW	15	30	15	50	25
HFC362SW	15	30	15	50	25
HNFC362JW ⑤	—	50	—	60	25
HNFC362SW ⑤	—	50	—	60	25

Accessories

Catalog Number	Description
HA161234	One Normally Open and Closed Auxiliary Switches
HA261234	Two Normally Open and Closed Auxiliary Switches
HA361234	Low Voltage Auxiliary Switch
HG61234	Equipment Ground Lug Kit (Factory installed)
HG261234	Isolated Equipment Ground Lug Kit
HP62	Fuse Puller
HNC623	Neutral Kit
HR62	600 Volt Class R Fuse Clip Kit (3 fuse clips per kit)
HLC612	Copper Lug Kit (9 lugs per kit)
HCL623	Compression Lug Neutral Barrier Kit
SSH100	1.00" Type 12 and 4X Hub
SSH150	1.50" Type 12 and 4X Hub

Replacement Parts

Catalog Number	Description
HFB62	Fusible Line Side Replacement Base (HF362JW, HF362SW)
HBB62	Fusible Load Side Replacement Base (HF362JW, HF362SW)
HNB623	Non-Fusible 600 Replacement Base (HNF362JW, HNF362SW)
HH6123	Replacement Handle/Handle Guard (HH6123S for Type 4X)
HL612	Replacement Lugs (3 lugs per kit)
HM6123	Replacement Mechanism (HM6123S for Type 4X)
⑥	Replacement Door

Mechanical Lug Wire Ranges (60/75°C, Cu/Al)

Description	Wire Range
Line, Load Neutral	#12-2 AWG (Al) or #14-2 AWG (Cu)
Ground	#14-4 AWG

① Also rated 3R/3S for outdoor use.

② Horsepower ratings listed also apply to Design E motors with no derating.

③ Dual horsepower ratings:

Std - applies when non-time delay fuses are installed.

Max - applies when time-delay fuses are installed.

④ Also rated 10HP at 250V AC systems.

⑤ Also rated 20HP on 3Ø, 240V AC systems

⑥ Place "DOOR" at the end of the switch catalog number.

Standards and Ratings

- CSA#1079316
- Meets CSA C22.2 No.4-04 for switches
- Meets NEMA Standard KS-1 for enclosed switches
- Meets NEC wire bending space requirements
- Rated 10,000 AIC with Class H fuses or 200,000 AIC with Class R and J fuses
- Rated 100,000 AIC at 600Vdc with Class R or J fuses
- I²t rated (Amps² x Seconds = 200,000)
- 12X overload current rating exceeds standard 10X industry standard
- Suitable for use as service entrance equipment

Features

- Quick-make and break switching action
- Double break visible blade design
- Highly visible ON/OFF indication
- Window permits viewing of both visible blades and indicating type fuses
- Rugged installer friendly enclosure design
- Modular design allows quick and easy replacement of parts
- Front removable lugs which can easily be converted to copper body or compression type lugs
- Defeatable dual cover interlock

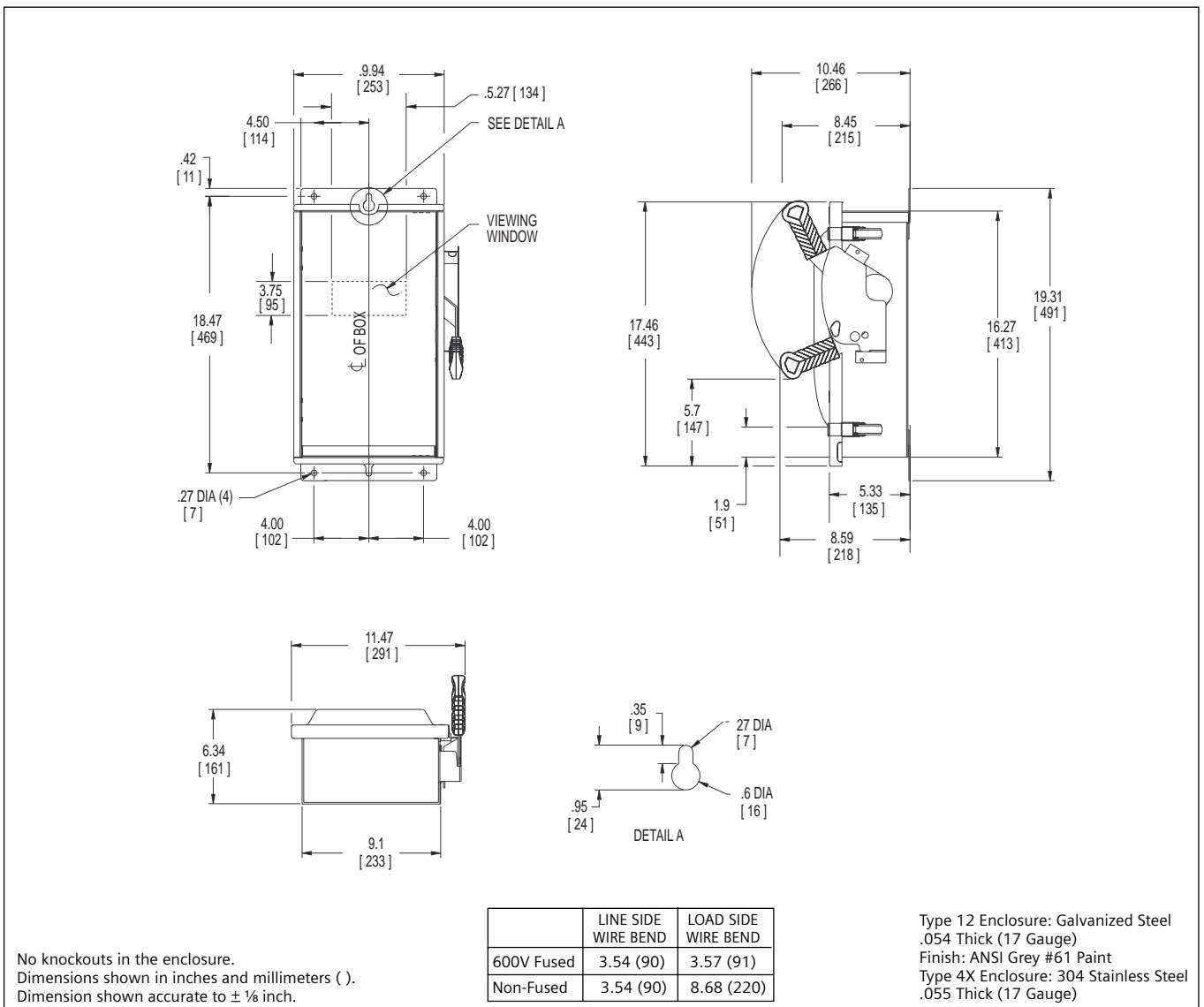
SIEMENS

Product Specification Sheet #HD60.5 (page 2)

Compression Lugs

Wire Size	Burdny		Thomas-Betts		IIsco	
	CU ONLY	CU/AL	CU ONLY	CU/AL	CU ONLY	CU/AL
#14-10				60096 60097		
#8	YA8C-L BOX YA8C-L1 BOX		54104 54130	60101 60102 61102	CRA-8	ACL-8 ACN-8
#6				61107		

Dimension Drawing



Siemens Canada Ltd.
 Automation & Drives
 1550 Appleby Line
 Burlington, Ontario L7L 6X7

©Siemens Canada Ltd.
 Siemens is a registered trademark of Siemens AG
 Specifications are subject to change without notice.

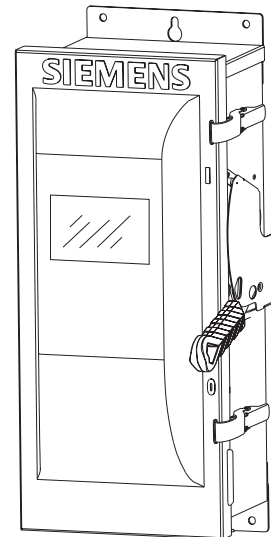
www.siemens.ca

Product Specification Sheet #HD100.5.1

Heavy Duty Safety Switch with Viewing Window

Type VBII

100 Amp, Type 12 Industrial & Type 4/4X Stainless Steel



General Information

Catalog Number	Volts	Description	Shipping Weight (lbs.)
Type 12 Industrial ①			
HFC363JW	600	3 Pole, 3 Wire, Fusible	26
HNFC363JW	600	3 Pole, 3 Wire, Non-Fusible	25
Type 4/4X Stainless Steel			
HFC363SW	600	3 Pole, 3 Wire, Fusible	29
HNFC363SW	600	3 Pole, 3 Wire, Non-Fusible	27

Horsepower Ratings ②③④ - 600 Volts

Catalog Number	3 Phase, 480V AC		3 Phase, 600V AC		600V DC
	Std	Max	Std	Max	
HFC363JW	25	60	30	75	25
HFC363SW	25	60	30	75	25
HNFC363JW ⑤	—	75	—	100	25
HNFC363SW ⑤	—	75	—	100	25

Accessories

Catalog Number	Description
HA161234	One Normally Open and Closed Auxiliary Switches
HA261234	Two Normally Open and Closed Auxiliary Switches
HA361234	Low Voltage Auxiliary Switch
HG61234	Equipment Ground Lug Kit (Factory installed)
HG261234	Isolated Equipment Ground Lug Kit
HP63	Fuse Puller (3 per kit)
HNC623,HNC263	Neutral Kit, 200%Neutral Kit
HR63	Class R Fuse Clip Kit (3 fuse clips per kit)
HT63	600 Volt Class T Fuse Clip Kit (1-Pole per kit)
HLC63	Copper Lug Kit (9 lugs per kit)
HCL623	Compression Lug Neutral Barrier Kit
SSH150	1.50" Type 12 and 4X Hub
SSH200	2.00" Type 12 and 4X Hub

Replacement Parts

Catalog Number	Description
HFB63	Fusible Line Side Replacement Base (HF363JW, HF363SW)
HBB63	Fusible Load Side Replacement Base (HF363JW, HF363SW)
HNB623	Non-Fusible Replacement Base (HNF363JW, HNF363SW)
HH6123	Replacement Handle/Handle Guard (HH6123S for Type 4X)
HL63	Replacement Lugs (3 lugs per kit)
HM6123	Replacement Mechanism (HM6123S for Type 4X)
⑥	Replacement Door

Mechanical Lug Wire Ranges (60/75°C, Cu/Al)

Line, Load	
Neutral	or #14-1/0 AWG (Cu)
Ground	#14-4 AWG

- ① Also rated 3R/3S for outdoor use.
 ② Dual horsepower ratings:
 Std - applies when non-time delay fuses are installed.
 Max - applies when time-delay fuses are installed.
 ③ Horsepower ratings listed also apply to Design E motors with no derating.
 ④ Also rated 20HP at 250V DC.
 ⑤ Also rated 40HP on 3 phase, 240V AC systems.
 ⑥ Place "Door" at the end of the switch catalog number.

Standards and Ratings

- CSA #1079316
- Meets CSA C22.2 No.4-04 for switches
- Meets NEMA Standard KS-1 for enclosed switches
- Meets NEC wire bending space requirements
- Rated 10,000 AIC with Class H fuses or 200,000 AIC with Class R, T and J fuses
- Rated 100,000 AIC at 600Vdc with Class R or J fuses
- I²t rated (Amps² x Seconds = 500,000)
- 12X overload current rating exceeds standard 10X industry standard
- Suitable for use as service entrance equipment

Features

- Quick-make and break switching action
- Double break visible blade design
- Highly visible ON/OFF indication
- Rugged installer friendly enclosure design
- Window permits viewing of both visible blades and indicating type fuses
- Modular design allows quick and easy replacement of parts
- Front removable lugs which can easily be converted to copper body or compression type lugs
- Defeatable dual cover interlock

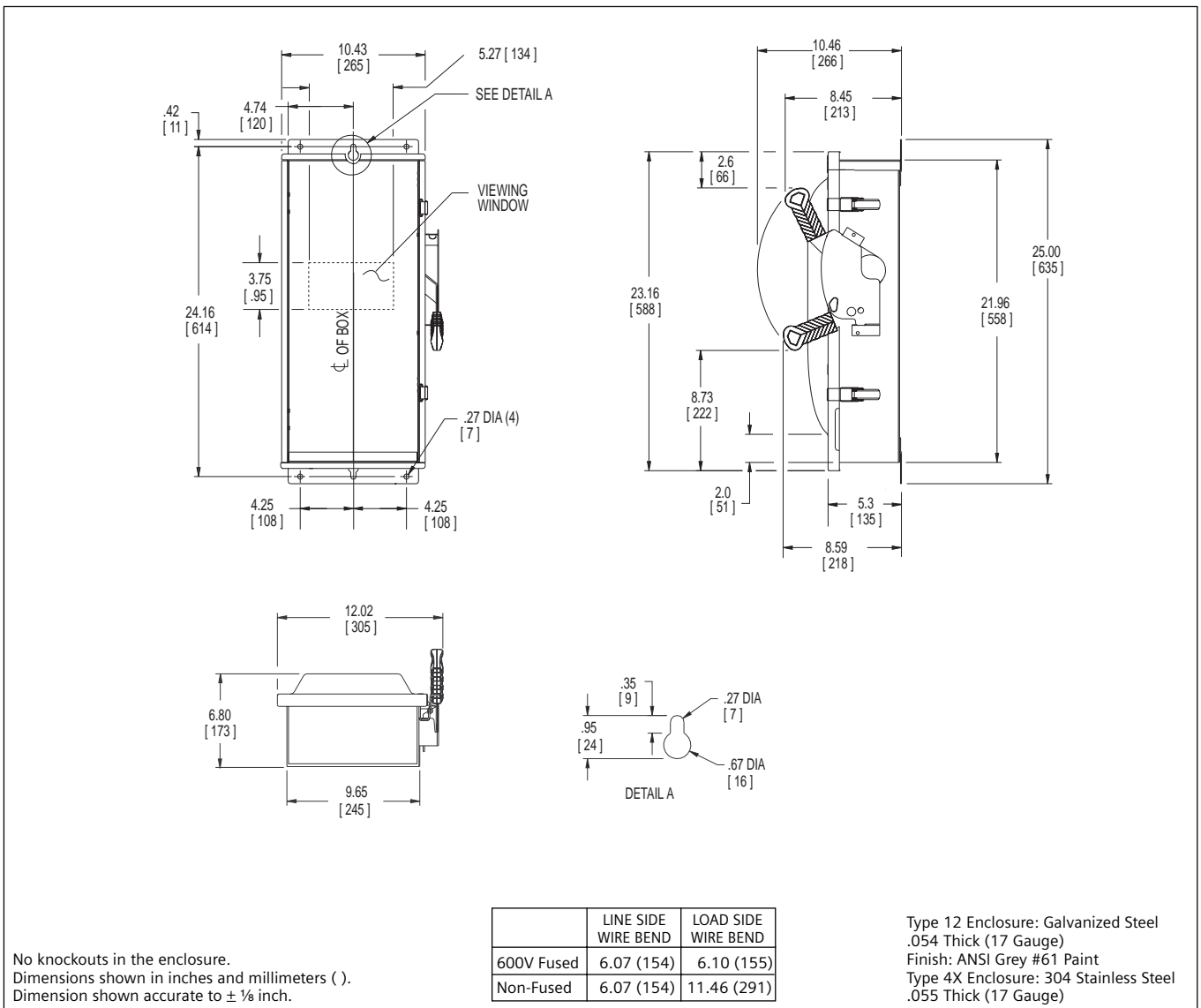
SIEMENS

Product Specification Sheet #HD100.5 (page 2)

Compression Lugs ^①

Wire Size	Burndy		Thomas-Betts		IlSCO	
	CU ONLY	CU/AL	CU ONLY	CU/AL	CU ONLY	CU/AL
#6	YA6C-L BOX YA6C	YA6CA1	54105 54905BE	61107 60107	CRB-6 CRB-6L	ACL-6
#4	YA4C-L BOX YA4C	YA4CA1	54106 54906BE	61112 60112	CRB-4 CRB-4L	ACL-4
#2	YA2C-L2 BOX YA2C	YA2CA5	54107	61116	CRB-2 CRB-2L	ACL-2
#1	YA1C-L2 YA1C		54108 54947BE	61122	CRB-1-14 CRA-1L	
1/0				61130		

Dimension Drawing



① If compression lugs are used for the neutral, order compression lug neutral barrier kit HCL623.

Siemens Canada Ltd.
Automation & Drives
1550 Appleby Line
Burlington, Ontario L7L 6X7

www.siemens.ca

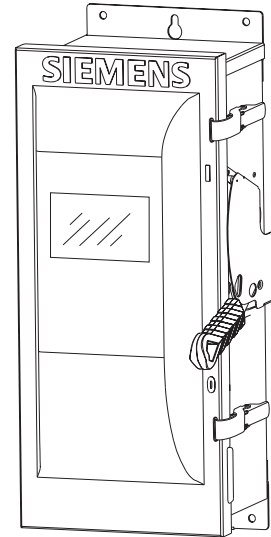
©Siemens Canada Ltd.
Siemens is a registered trademark of Siemens AG
Specifications are subject to change without notice.

Product Specification Sheet #HD200.5.1

Heavy Duty Safety Switch with Viewing Window

Type VBII

200 Amp, Type 12 Industrial & Type 4/4X Stainless Steel



General Information

Catalog Number	Volts	Description	Shipping Weight (lbs.)
Type 12 Industrial ①			
HFC364JW	600	3 Pole, 3 Wire, Fusible	53
HNFC364JW	600	3 Pole, 3 Wire, Non-Fusible	51
Type 4/4X Stainless Steel			
HFC364SW	600	3 Pole, 3 Wire, Fusible	56
HNFC364SW	600	3 Pole, 3 Wire, Non-Fusible	55

Horsepower Ratings ②③ - 600 Volts

Catalog Number	3 Phase, 480V AC		3 Phase, 600V AC		600V DC
	Std	Max	Std	Max	
HFC364JW	50	125	60	150	50
HFC364SW	50	125	60	150	50
HNFC364JW ④	—	125	—	150	50
HNFC364SW ④	—	125	—	150	50

Accessories

Catalog Number	Description
HA161234	One Normally Open and Closed Auxiliary Switches
HA261234	Two Normally Open and Closed Auxiliary Switches
HA361234	Low Voltage Auxiliary Switch
HG61234	Equipment Ground Lug Kit (Factory installed)
HG261234	Isolated Equipment Ground Lug Kit
HNC64	Neutral Kit
HNC264	200% Neutral Kit
HT64	600 Volt Class T Fuse Clip Kit (1-Pole per kit)
HR64	Class R Fuse Clip Kit (3 fuse clips per kit)
HLC64	Copper Lug Kit (9 lugs per kit)
SSH200	2.00" Type 12 and 4X Hub

Replacement Parts

Catalog Number	Description
HFB64	Fusible Line Side Replacement Base (HF364JW, HF364SW)
HBB64	Fusible Load Side Replacement Base (HF364JW, HF364SW)
HNB64	Non-Fusible Replacement Base (HNF364JW, HNF364SW)
HH64	Replacement Handle/Handle Guard (HH64S for Type 4X)
HL64	Replacement Lugs (3 lugs per kit)
HM64	Replacement Mechanism (HM64S for Type 4X)
⑤	Replacement Door

Mechanical Lug Wire Ranges (60/75°C, Cu/Al)

200% and Standard Neutral Ground	#14-1/0 AWG
Ground Lug Kit	#14-4 AWG
200% Neutral	(2) #6 AWG - 300 Kcmil

① Also rated 3R/3S for outdoor use.

② Dual horsepower ratings:

Std - applies when non-time delay fuses are installed.

Max - applies when time-delay fuses are installed.

③ Horsepower ratings listed also apply to Design E motors with no derating.

④ Also rated 60HP on 3 phase, 240V AC systems.

⑤ Place "Door" at the end of the switch catalog number.

Standards and Ratings

- CSA#1079316
- Meets CSA C22.2 No.4-04 for switches
- Meets NEMA Standard KS-1 for enclosed switches
- Meets NEC wire bending space requirements
- Rated 10,000 AIC with Class H fuses or 200,000 AIC with Class R, T and J fuses
- Rated 100,000 AIC at 600Vdc with Class R or J fuses
- I²t rated (Amps² x Seconds = 500,000)
- 12X overload current rating exceeds standard 10X industry standard
- Suitable for use as service entrance equipment

Features

- Quick-make and break switching action
- Double break visible blade design
- Highly visible ON/OFF indication
- Rugged installer friendly enclosure design
- Window permits viewing of both visible blades and indicating type fuses
- Modular design allows quick and easy replacement of parts
- Front removable lugs which can easily be converted to copper body or compression type lugs
- Defeatable dual cover interlock

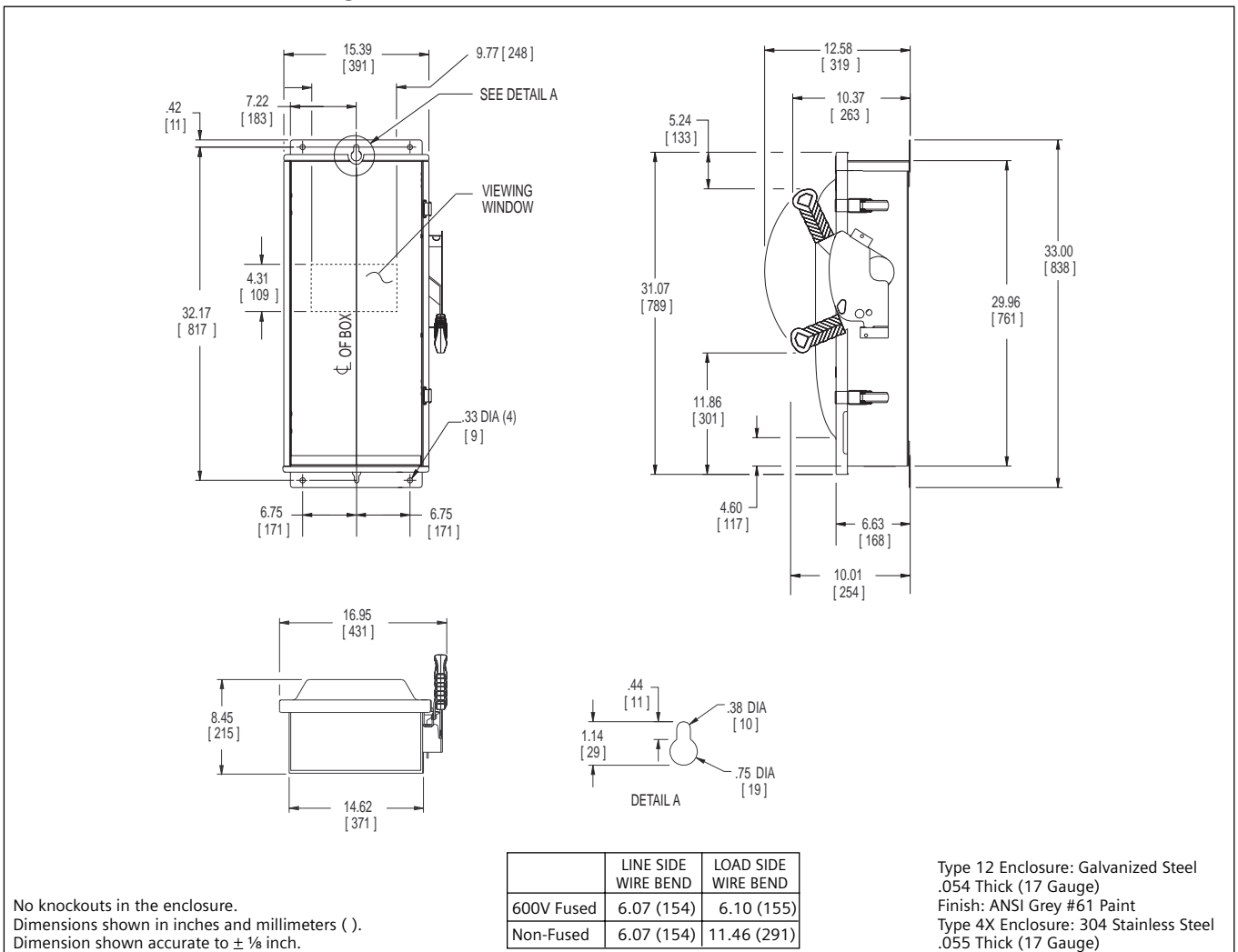
SIEMENS

Product Specification Sheet #HD200.5 (page 2)

Compression Lugs ①

Wire Size	Burndy		Thomas-Betts		Ilco	
	CU ONLY	CU/AL	CU ONLY	CU/AL	CU ONLY	CU/AL
#2	YA2C-L Box YA2C	YA2CA1	54142-TB	60117	CRB-2 CRB-2L	IACL-2 ACN-2
#1	YA1C-L Box YA1C	YA1CA1	54147 54947BE	60123	CRA-1-38 CRA-1L	ACN-1
1/0	YA25-L Box YA25	YA25A1 54949BE	54153-TB 61130	60129	CRA-0 CRA-1/0L	IACL-1/0 ACN-1/0
2/0	YA26-L3 YA26	YA26A6	54158 256-30695-1229 54910BE	60135 61136	CRA-2/0 CRA-2/0L	ACL-2/0 IACL-2/0
3/0	YA27-L3 YA27	YA27A1	54163-TB 61142	60141	CRC-3/0 CRB-3/0L	IACL-3/0 ACL-3/0
4/0	YA28-L3 YA28-TC38	YA28A1	54168 256-30695-1253	61148 60147	CRC-4/0 CRB-4/0L	IACL-4/0 ACL-4/0
250 Kcmil	YA29-L7		54173 54913BE	61156	CRA-250 CRA-250L	IACL-250
300 Kcmil				61162		

Dimension Drawing



① If compression lugs are used for the neutral, order compression lug neutral barrier kit HCL623.

Siemens Canada Ltd.
Automation & Drives
1550 Appleby Line
Burlington, Ontario L7L 6X7

www.siemens.ca

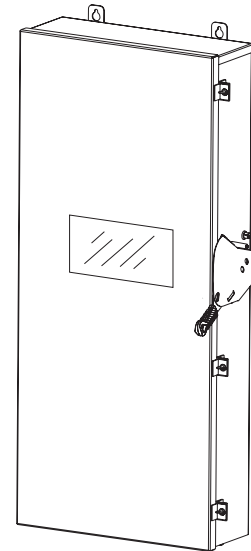
©Siemens Canada Ltd.
Siemens is a registered trademark of Siemens AG
Specifications are subject to change without notice.

Product Specification Sheet #HD400.9.1

Heavy Duty Safety Switch with Viewing Window

Type VBII

400 Amp, Type 4/4X (Stainless Steel) & Type 12 (Industrial) ①



General Information

Catalog Number	Volts	Description	Shipping Weight (lbs.)
HFC365JW	600	3 Pole, 3 Wire, Fusible, Type 12	166
HNFC365JW	600	3 Pole, 3 Wire, Non-Fusible, Type 12	129
HFC365SW	600	3 Pole, 3 Wire, Fusible, Type 4/4X	168
HNFC365SW	600	3 Pole, 3 Wire Non-Fusible, Type 4/4X	130

Horsepower Ratings ② ③ - 600 Volts

Catalog Number	3 Phase, 480V AC		3 Phase, 600V AC		600V DC
	Std	Max	Std	Max	
HFC365JW ④	100	250	125	350	—
HFC365SW ④	100	250	125	350	—
HNFC365JW ④	—	250	—	350	—
HNFC365SW ④	—	250	—	350	—

Accessories

Catalog Number	Description
HA165678	One Normally Open and Closed Auxiliary Switches
HA265678	Two Normally Open and Closed Auxiliary Switches
HA365678	Low Voltage Auxiliary Switch
HG656	Equipment Ground Lug Kit
HG2656	Isolated Equipment Ground Lug Kit
HNC656	Standard and 200% Neutral Kit
HR656	Class R Fuse Clip Kit (3 fuse clips per kit)
HLC65678	Copper Lug Kit (1 lug per kit)
HCL65	Compression Lug Mounting Kit (1 kit/pole required allows (1) lug/Ø)

Replacement Parts

Catalog Number	Description
HFB656 ⑤ ⑥	Fusible Line Side Replacement Base
HBB656 ⑤ ⑥	Fusible Load Side Replacement Base
HNB656	Non-Fusible Line Side Replacement Base
HH65678S	Replacement Handle/Handle Guard
HL65678 ⑥	Replacement Lugs (1 lug per kit)
HM65	Replacement Mechanism
⑦	Replacement Door

Mechanical Lug Wire Ranges

Line, Load	or (2) 1/0 AWG - 250 Kcmil
Standard and 200% Neutral Ground	(2) #6 AWG - 250 Kcmil
Standard and 200% Neutral	(2) 1/0 AWG - 750 Kcmil

① Also rated 3R/3S for outdoor use.

② Dual horsepower ratings:

Std - applies when non-time delay fuses are installed.

Max - applies when time-delay fuses are installed.

③ Horsepower ratings listed also apply to Design E motors with no derating.

④ Rated 50HP on 250V DC systems.

⑤ Each Line and Load Replacement Base contains one pole.

⑥ Lugs are not provided on Line and Load Replacement Base Assemblies. Order Lug Kit.

⑦ Place "DOOR" at the end of the switch catalog number.

Standards and Ratings

- CSA#1079316
- Meets CSA C22.2 No.4-04 for switches
- Meets NEMA Standard KS-1 for enclosed switches
- Meets NEC wire bending space requirements
- Rated 10,000 AIC with Class H fuses or 200,000 AIC with Class R, J and T fuses
- I²t rated (Amps² x Seconds = 6,000,000)
- 12X overload current rating exceeds standard 10X industry standard
- Suitable for use as service entrance equipment

Features

- Quick-make and break switching action
- Visible blade design
- Highly visible ON/OFF indication
- Window permits viewing of visible blades
- Modular design allows quick and easy replacement of parts
- Front removable lugs which can easily be converted to copper body or compression type lugs
- Defeatable dual cover interlock

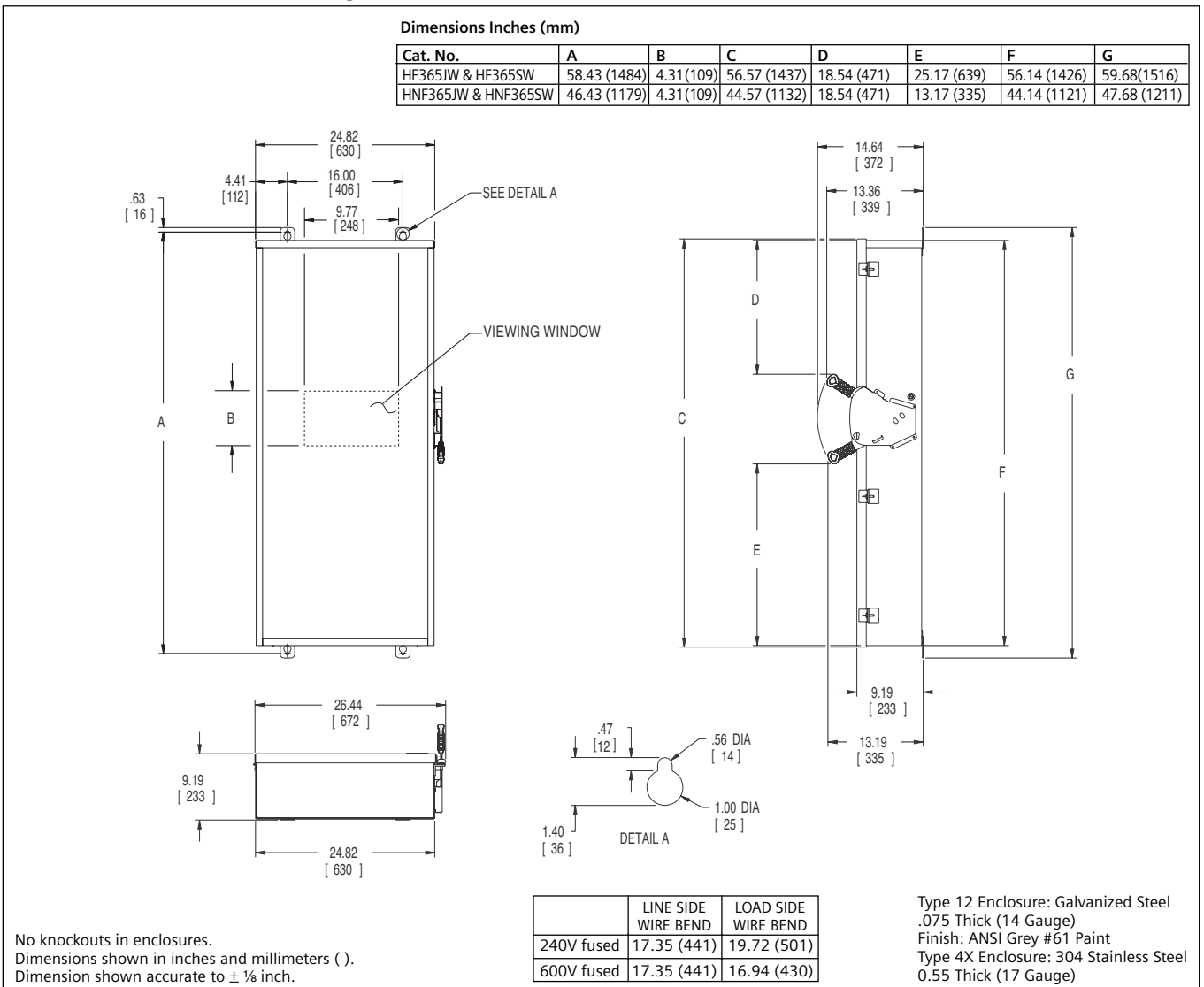
SIEMENS

Product Specification Sheet #HD400.9 (page 2)

Compression Lugs ①

Wire Size	Burndy		Thomas-Betts		IISCO	
	CU ONLY	CU/AL	CU ONLY	CU/AL	CU ONLY	CU/AL
2/0	YA26-N	YA26-A1	54160 54951BE			IACL-2/0 ACN-2/0
3/0	YA27-L Box YA27	YA27A3	54165-TB 54965BE		CRB-3/0 CRB-3/0L	IACL-3/0 ACN-3/0
4/0	YA28-L Box YA28	YA28A3	54170 54970BE	60150	CRB-4/0 CRB-4/0L	IACL-4/0 ACN-4/0
250 Kcmil	YA29-L Box YA29	YA29A1	54113 54913BE	61156 60156	CRA-250 CRA-250L	IACL-250 ACL-250
300 Kcmil	YA30-L YA30	YA30A1	54114 54914BE	61162 60162	CRA-300 CRA-300L	IACL-300 ACL-300
350 Kcmil	YA31-L YA31	YA31A1	54915BE	61165 60165	CRA-350 CRA-350L	IACL-350 ACL-350
400 Kcmil	YA32-N		54116 54916BE			
500 Kcmil	YA34-L6 YA34-N			61171		IACL-500

Dimension Drawing



① If compression lugs are used, order compression lug mounting kit HCL65.

Siemens Canada Ltd.
Automation & Drives
1550 Appleby Line
Burlington, Ontario L7L 6X7

www.siemens.ca

©Siemens Canada Ltd.
Siemens is a registered trademark of Siemens AG
Specifications are subject to change without notice.